

10 9 8 7 6 5 4 3 2 1

F

E

D

C

B

A

F

E

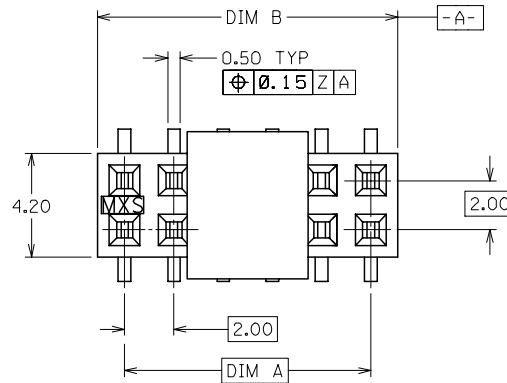
D

C

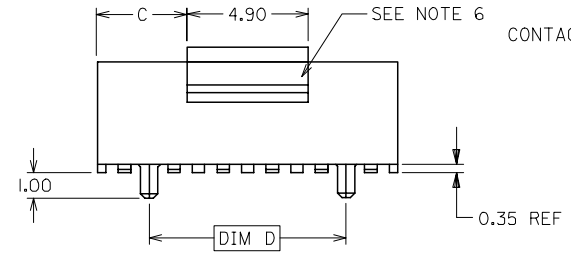
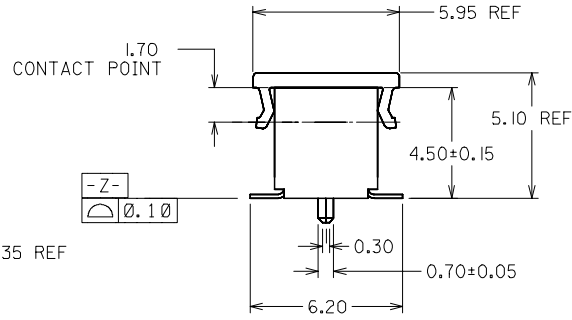
B

A

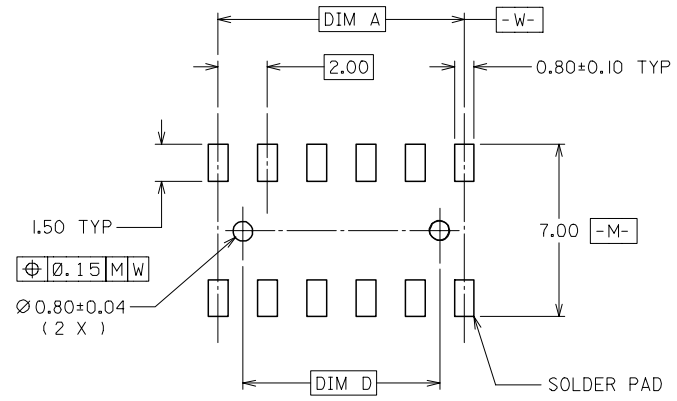
PART NUMBER (W/ CAP IN TUBE)	CKT. SIZE	DIM A	DIM B	DIM C	DIM D
87381-08**	8	6.00	8.00	1.55	4.00
87381-10**	10	8.00	10.00	2.55	6.00
87381-12**	12	10.00	12.00	3.55	8.00
87381-14**	14	12.00	14.00	4.55	10.00
87381-16**	16	14.00	16.00	5.55	12.00
87381-18**	18	16.00	18.00	6.55	14.00
87381-20**	20	18.00	20.00	7.55	16.00
87381-22**	22	20.00	22.00	8.55	18.00
87381-24**	24	22.00	24.00	9.55	20.00
87381-26**	26	24.00	26.00	10.55	22.00
87381-28**	28	26.00	28.00	11.55	24.00
87381-30**	30	28.00	30.00	12.55	26.00
87381-32**	32	30.00	32.00	13.55	28.00
87381-34**	34	32.00	34.00	14.55	30.00
87381-36**	36	34.00	36.00	15.55	32.00
87381-38**	38	36.00	38.00	16.55	34.00
87381-40**	40	38.00	40.00	17.55	36.00
87381-42**	42	40.00	42.00	18.55	38.00
87381-44**	44	42.00	44.00	19.55	40.00
87381-46**	46	44.00	46.00	20.55	42.00
87381-48**	48	46.00	48.00	21.55	44.00
87381-50**	50	48.00	50.00	22.55	46.00



PART NO. LEGEND
 87381 - * * * *
 CIRCUIT SIZE
 PLATING
 3 (SEE NOTE 1)
 4
 8 COVER
 9 NO COVER



- NOTES:
 1. PLATING FINISH :
 3 - 0.76um MIN. GOLD IN CONTACT AREA, 1.27um MIN. TIN
 IN SOLDER TAIL AREA BOTH OVER 1.27um MIN NBICKEL OVEALL
 4 - 0.38um MIN. GOLD IN CONTACT AREA 1.27um MIN. TIN
 IN SOLDER TAIL AREA BOTH OVER 1.27um MIN NBICKEL OVEALL
 2. 12 CKT SIZE SHOWN FOR ILLUSTRATION ONLY. SEE CHART
 FOR ALL AVAILABLE PART SIZES
 3. PRODUCT SPECIFICATION PS-87380 APPLIES
 4. COPLANARITY OF SOLDER TAILS ARE TO BE MEASURED BY
 RESTING THE PART ON A FLAT GAUGE SURFACE
 5. TUBE PACKAGING STANDARD
 6. COVER IS OPTIONAL, SEE LEGEND.
 7. PARTS SHALL BE PACKED IN MOISTURE BARRIER BAG.



RECOMMENDED PCB LAYOUT

ADD NOTE 7. EC NO: S2008-0281 2007/10/31 DRWNS:KANG CHKD:ATSEE 2007/11/01 APPR:MLONG 2007/11/01	QUALITY SYMBOLS ▽=0 ▽C=0	GENERAL TOLERANCES (UNLESS SPECIFIED)		DIMENSION STYLE MM ONLY		SCALE NTS	DESIGN UNITS METRIC	THIRD ANGLE PROJECTION	
		mm	INCH	DRAWN BY RSHAN	DATE 1998/03/10	TITLE MGRID 2MM RECEPTACLE 4.50MM HT.	MOLEX INCORPORATED		
D2	REV	4 PLACES ± --- ± ---		APPROVED BY SKTOH		DATE 1998/03/28	DOCUMENT NO. SD-87381-***8*		
		3 PLACES ± --- ± ---		MATERIAL NO.		DATE 1998/03/28	SHEET NO. 1 OF 3		
		2 PLACES ± 0.20 ± ---		DRAFT WHERE APPLICABLE MUST REMAIN WITHIN DIMENSIONS		SEE TABLE			
		1 PLACE ± --- ± ---							
		ANGULAR ± 3 °							

9 8 7 6 5 4 3 2 1

10 9 8 7 6 5 4 3 2 1

F

E

D

C

B

A

F

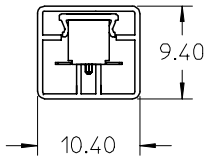
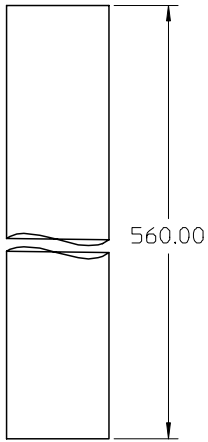
E

D

C

B

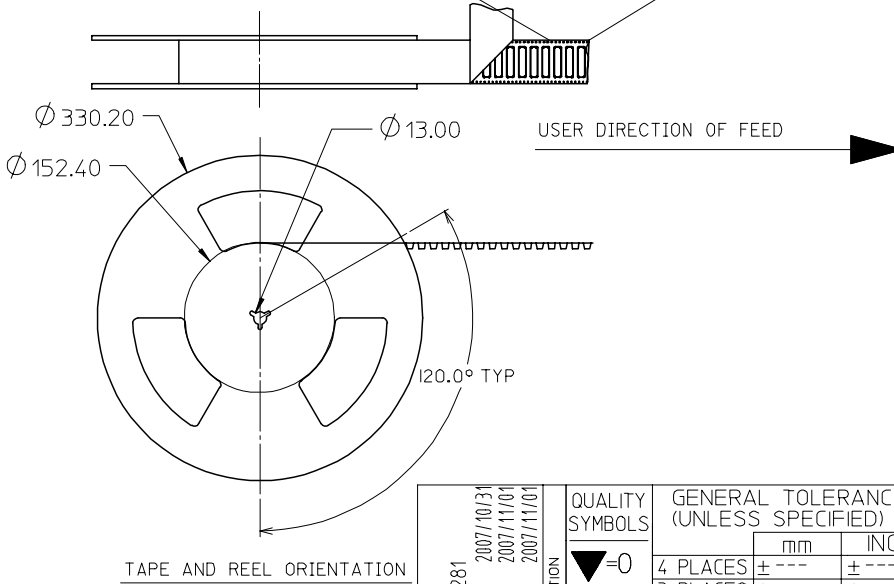
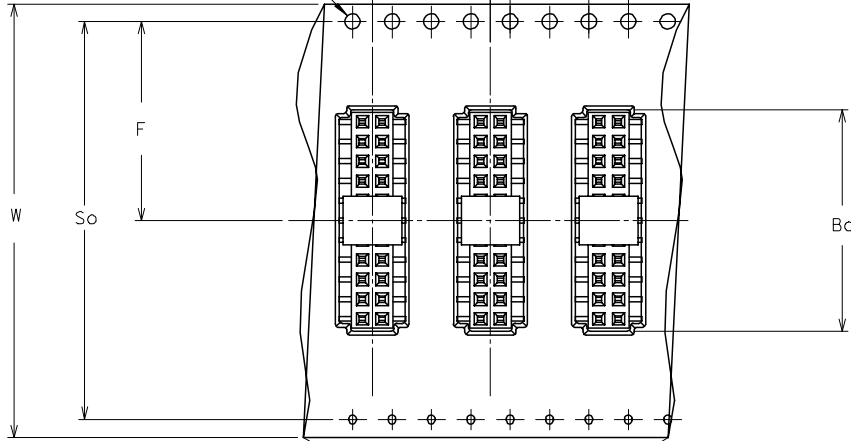
A



TUBE PACKAGING ORIENTATION
(SEE SHT 1 FOR PART NUMBER)

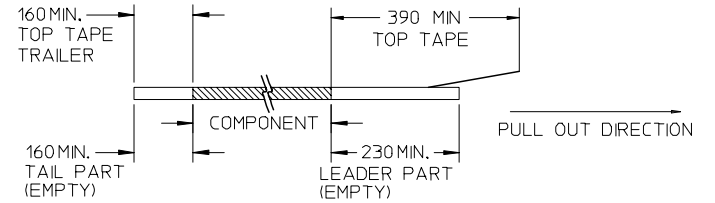
$\varnothing 1.50^{+0.10}_0$ (TYP)
(PILOT HOLE)

12.00
2.00
4.00

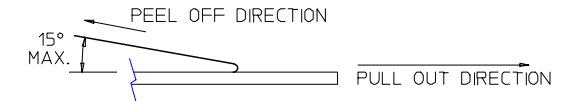


NOTES:

1. LEADER AND TRAILER TAPE



2. PEELING OFF FORCE OF THE TOP TAPE: 20-80gf.
(PEELING DIRECTION AS SHOWN IN FOLLOWING FIGURE)



3. PACKAGING STANDARD IS AS PER EIA-481.

4. TAPE & REEL QUANTITY = 800 PCS/REEL

A

ADD NOTE 7.	2007/10/31
EC NO: S2008-0281	2007/11/01
DRWNS:KANG	2007/11/01
CHKD:ATSEE	2007/11/01
APPR:MLONG	2007/11/01
D2	REV

QUALITY SYMBOLS	$\nabla=0$
	$\sphericalangle=0$

GENERAL TOLERANCES (UNLESS SPECIFIED)	DIMENSION STYLE	
	MM ONLY	
	mm	INCH
4 PLACES	\pm ---	\pm ---
3 PLACES	\pm ---	\pm ---
2 PLACES	± 0.20	\pm ---
1 PLACE	\pm ---	\pm ---
	ANGULAR $\pm 3^\circ$	
DRAFT WHERE APPLICABLE MUST REMAIN WITHIN DIMENSIONS		

DRAWN BY	DATE	TITLE
RSHAN	1998/03/10	MGRID 2MM RECEPTACLE 4.50MM HT.
CHECKED BY	DATE	
SQUEK	1998/03/28	MOLEX INCORPORATED
APPROVED BY	DATE	
SKTOH	1998/03/28	
MATERIAL NO.		DOCUMENT NO.
SEE TABLE		SD-87381-***8*

SCALE	DESIGN UNITS	THIRD ANGLE PROJECTION
NTS	METRIC	
SHEET NO. 2 OF 3		

9 8 7 6 5 4 3 2 1

10 9 8 7 6 5 4 3 2 1

PART NUMBER (W/CAP IN TUBE)	MOISTURE BARRIER BAG P/N FOR TUBE	PART NUMBER (W/ CAP IN T&R)	MOISTURE BARRIER BAG P/N FOR T&R	CKT. SIZE	W	So	F	Bo
87381-2284	89990-0201	87381-8252	89990-0200	22	44.00	40.40	20.20	22.50
87381-3084		87381-8231		30	56.00	52.40	26.20	30.50

F

F

E

E

D

D

C

C

B

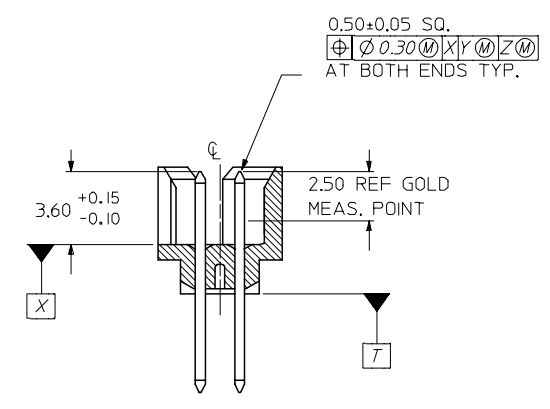
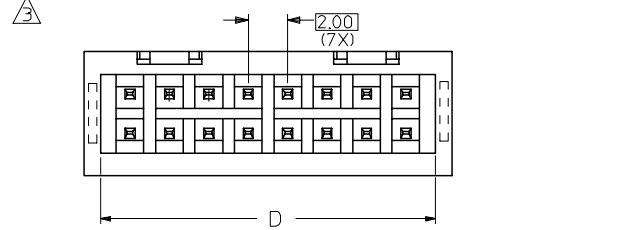
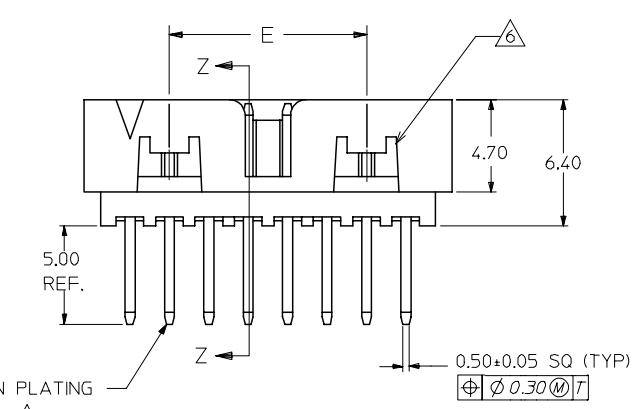
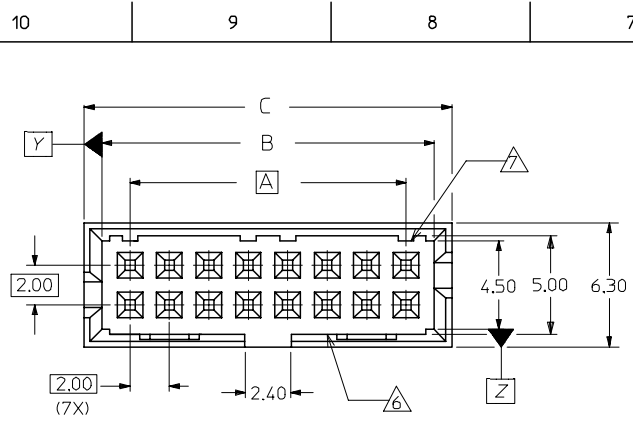
B

A

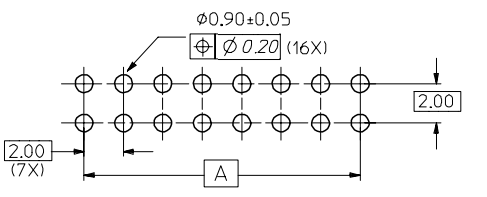
A

ADD NOTE 7. EC NO: S2008-0281 DRWNS:KANG 2007/10/31 CHKD:ATSEE 2007/11/01 APPR:MLONG 2007/11/01	QUALITY SYMBOLS = 0 = 0	GENERAL TOLERANCES (UNLESS SPECIFIED)		DIMENSION STYLE MM ONLY		SCALE NTS	DESIGN UNITS METRIC	THIRD ANGLE PROJECTION			
			mm	INCH	DRAWN BY RSHAN	DATE 1998/03/10	TITLE MGRID 2MM RECEPTACLE 4.50MM HT.				
		4 PLACES	± ---	± ---	CHECKED BY SQUEK	DATE 1998/03/28					
		3 PLACES	± ---	± ---	APPROVED BY SKTOH		DATE 1998/03/28	MOLEX INCORPORATED			
		2 PLACES	± 0.20	± ---	MATERIAL NO.		DOCUMENT NO.				
1 PLACE	± ---	± ---	DRAFT WHERE APPLICABLE MUST REMAIN WITHIN DIMENSIONS		SIZE A3	SD-87381-***8*		3 OF 3			
		ANGULAR ± 3 °		SEE TABLE							

9 8 7 6 5 4 3 2 1



SECTION Z-Z



RECOMMENDED PCB PATTERN

PART NO. PACKED IN TRAY	PART NO. PACKED IN TUBE	CKT SIZE	DIMENSION				
			A	B	C	D	E
87831-1023	87831-1024	10	8.00	10.85	12.65	11.00	-
87831-1623	87831-1624	16	14.00	16.85	18.65	17.00	10.00

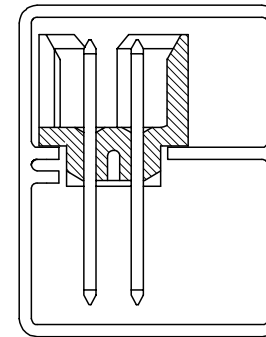
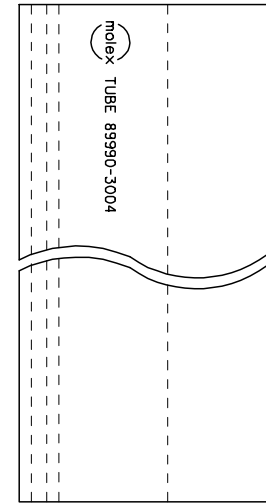
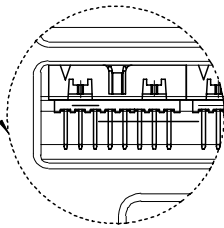
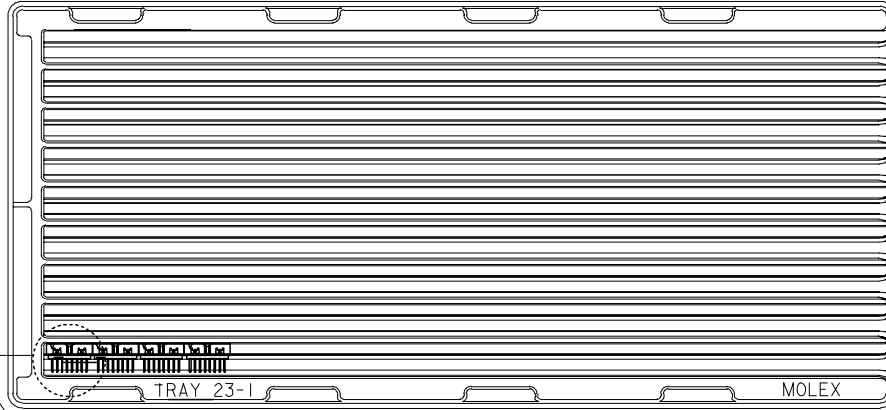
NOTES:

- PRODUCT SPECIFICATION PS-87831-027 APPLIES.
- MATERIAL:
HOUSING: NYLON 46, 30% G.F., UL 94-0
COLOR - BLACK PER (89992-0008)
PIN : PHOSPHOR BRONZE (51000) SQ 0.50MM.
- PLATING:
0.38um/15uin GOLD IN CONTACT AREA AND 1.88um/75uin MIN.
TIN IN SOLDER TAIL AREA OVER 1.27um/50uin MIN.
NICKEL OVERALL.
- PARTS TO BE PACKED IN TUBE OR TRAY.
- FOR ILLUSTRATION PURPOSES. 16 CKT SIZES WAFER IS SHOWN.
- NO SIDE LOCKING SLOT FROM 4 TO 12 CKT SIZE.
- RIBS LOCATION VARIES DEPENDING ON CKT SIZE.
- THIS HEADER MATES WITH MOLEX :
a) CRIMP RECEPTACLE HOUSING, 51110 SERIES WITH CRIMP TERMINAL, 50394 SERIES
b) 2mm MILLIGRID DUAL ROW IDT, 87568 SERIES.

EC NO: S2005-0171 DRAWN: ATSEE 2004/12/01 CHKD: SHONG 2004/12/02 APPR: SKTOH 2004/12/20	QUALITY SYMBOLS ▽=0 ▽=0	GENERAL TOLERANCES (UNLESS SPECIFIED)		DIMENSION STYLE MM ONLY		SCALE NTS	DESIGN UNITS METRIC	THIRD ANGLE PROJECTION		
				mm	INCH	DRAWN BY ATSEE		TITLE SALES DRAWING		
		4 PLACES ± --- ± ---				DATE 2004/08/24		MGRID, VERTICAL SHROUDED HDR., W/SLOT & STANDOFFS		
		3 PLACES ± --- ± ---				CHECKED BY SHONG		DATE 2004/11/22		
2 PLACES ± 0.20 ± ---				APPROVED BY SKTOH		DATE 2004/11/23			MOLEX INCORPORATED DOCUMENT NO. SD-87831-038 SHEET NO. 1 OF 2	
1 PLACE ± --- ± ---				MATERIAL NO.		SEE TABLE				
ANGULAR ± 3 °				DRAFT WHERE APPLICABLE MUST REMAIN WITHIN DIMENSIONS		SIZE A3		THIS DRAWING CONTAINS INFORMATION THAT IS PROPRIETARY TO MOLEX INCORPORATED AND SHOULD NOT BE USED WITHOUT WRITTEN PERMISSION		

10 9 8 7 6 5 4 3 2 1

OIRENTATION OF PART IN TRAY



OIRENTATION OF PART IN TUBE

EC NO: S2005-0171 DRAWN: ATSEE 2004/12/04 CHKD: SHONG 2004/12/02 APPR: SKTOH 2004/12/20	QUALITY SYMBOLS ▽=0 ▽=0	GENERAL TOLERANCES (UNLESS SPECIFIED)		DIMENSION STYLE MM ONLY	SCALE NTS	DESIGN UNITS METRIC	THIRD ANGLE PROJECTION	
		4 PLACES ± --- ± --- 3 PLACES ± --- ± --- 2 PLACES ± 0.15 ± --- 1 PLACE ± --- ± --- ANGULAR ± 3 °	mm INCH	DRAWN BY DATE ATSEE 2004/10/26 CHECKED BY DATE SHONG 2004/11/22 APPROVED BY DATE SKTOH 2004/11/23	TITLE SALES DRAWING MGRID, VERTICAL SHROUDED HDR., W/SLOT & STANDOFFS	MOLEX INCORPORATED		DOCUMENT NO. SD-87831-038
A	REV	DRAFT WHERE APPLICABLE MUST REMAIN WITHIN DIMENSIONS		SEE TABLE	THIS DRAWING CONTAINS INFORMATION THAT IS PROPRIETARY TO MOLEX INCORPORATED AND SHOULD NOT BE USED WITHOUT WRITTEN PERMISSION			

9 8 7 6 5 4 3 2 1