

THE INFORMATION CONTAINED HEREIN IS CONSIDERED "PROPRIETARY" TO BEL FUSE INC. AND SHALL NOT BE COPIED, REPRODUCED OR DISCLOSED WITHOUT THE WRITTEN APPROVAL OF BEL FUSE INC.

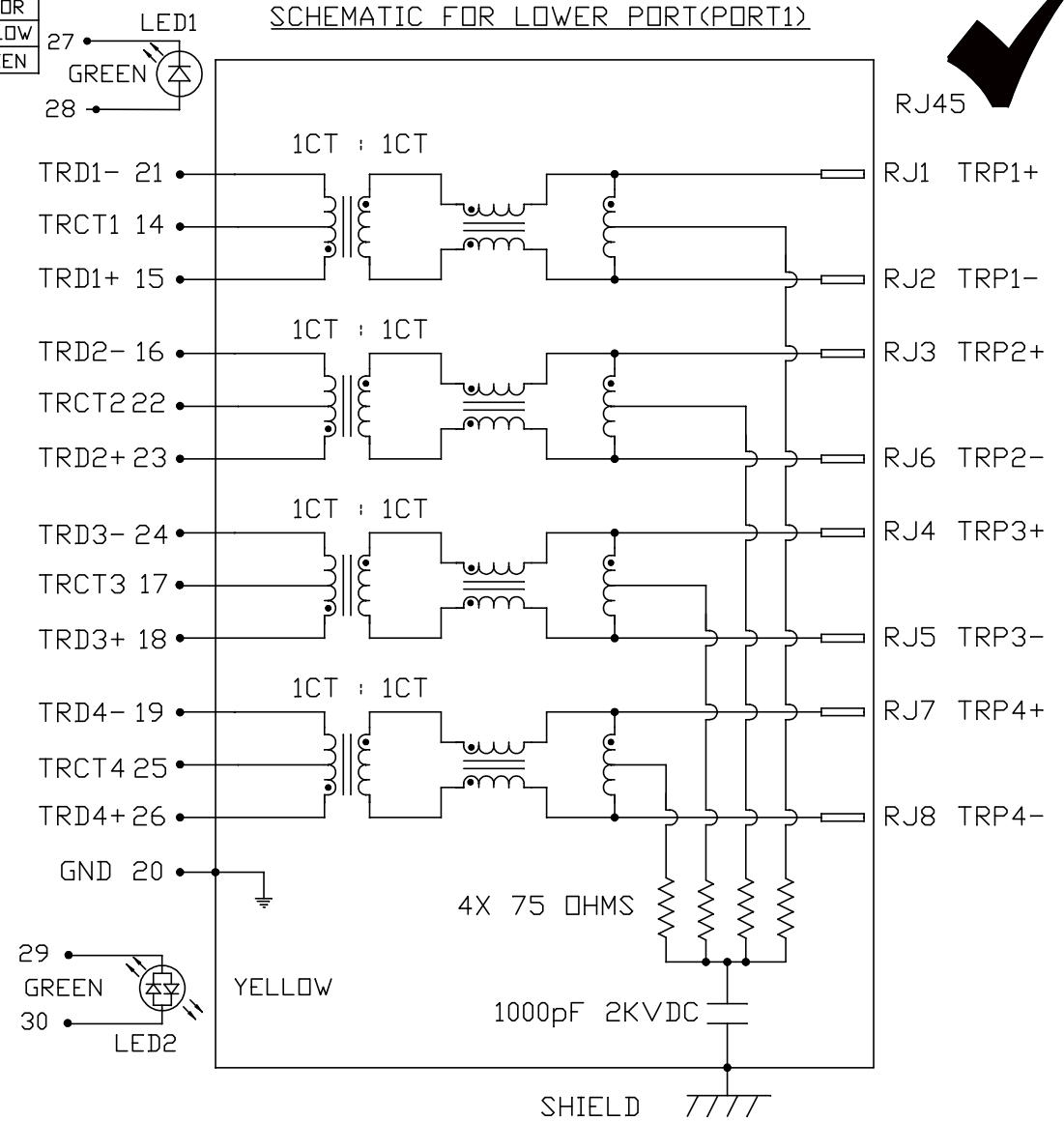
LED1 POLARITY			LED2 POLARITY		
PIN 27	PIN 28	COLOR	PIN 29	PIN 30	COLOR
-	+	GREEN	+	-	YELLOW
			-	+	GREEN

RoHS



ELECTRICAL CHARACTERISTICS @ 25°C

URNS RATIO	
TP1	1CT : 1CT ±2%
TP2	1CT : 1CT ±2%
TP3	1CT : 1CT ±2%
TP4	1CT : 1CT ±2%
OCL @ 100kHz,100mVRMS	
8mA DC BIAS	350 μH MIN.
INS. LOSS	
100KHz TO 100MHZ	-1.1 dB MAX
RET. LOSS (MIN)	
1MHZ-30MHZ	-18 dB
30MHZ-60MHZ	-16 dB
60MHZ-80MHZ	-14 dB
80MHZ-100MHZ	-12 dB
CM TO CM REJ	
100kHz - 100MHZ	-25 dB TYP
CROSS TALK	
1MHz - 60MHz	-35 dB TYP
60MHz - 100MHZ	-25 dB TYP
HIPOT (Isolation Voltage):	
100% OF PRODUCT TESTED TO COMPLY WITH IEEE 802.3 ISOLATION REQUIREMENTS	1500 Vrms
LEAKAGE INDUCTANCE	
PRIMARY W/ SECONDARY SHORTED	0.3μH Max. @ 1MHz
INTERWINDING CAPACITANCE	
PER CHANNEL (PRI. TO SEC.)	50pF Max @ 1MHz
DC RESISTANCE	
(21-15)=(16-23)=(24-18)=(19-26)	1.2 ohms Max
(RJ1-RJ2)=(RJ3-RJ6)=(RJ4-RJ5)=(RJ7-RJ8)	1.2 ohms Max
OPERATING TEMPERATURE:	
	-40 TO +85°C
LED 1	
VF (FORWARD VOLTAGE)	IF=20mA GREEN 2.2V TYP.
λD (DOMINANT WAVELENGTH)	IF=20mA GREEN 570nm TYP.
LED 2	
VF (FORWARD VOLTAGE)	IF=20mA GREEN 2.2V TYP.
λD (DOMINANT WAVELENGTH)	IF=20mA GREEN 570nm TYP.
	IF=20mA YELLOW 2.1V TYP.
	IF=20mA YELLOW 590nm TYP.



REV. : B PAGE : 2

ORIGINATED BY
CHOW WANCHUNG
DATE 2018-12-19

DRAWN BY
XIE YIMING
DATE 2018-12-19

TITLE
2X1 gigabit MagJack®
(with LED)
PATENTED
(Extend Temperature of -E4)

PART NO. / DRAWING NO.
0845-2R1T-DY

FILE NAME
0845-2R1T-DY_B.DWG

STANDARD DIM. TOL. IN INCH

.X	
.XX	
.XXX	

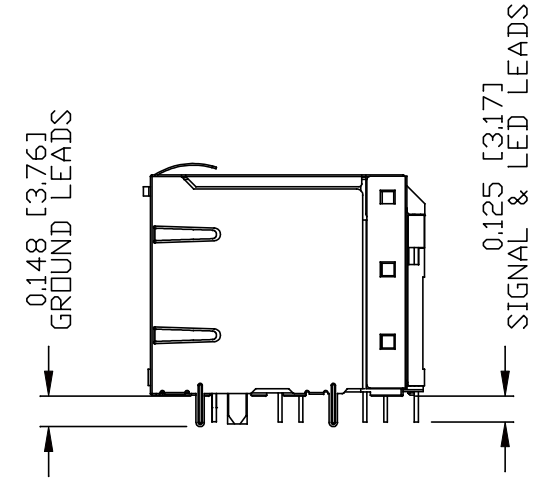
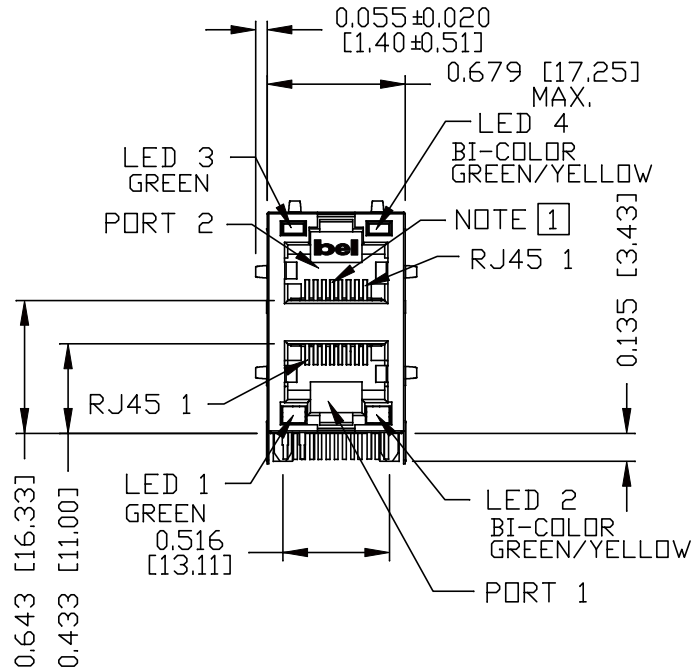
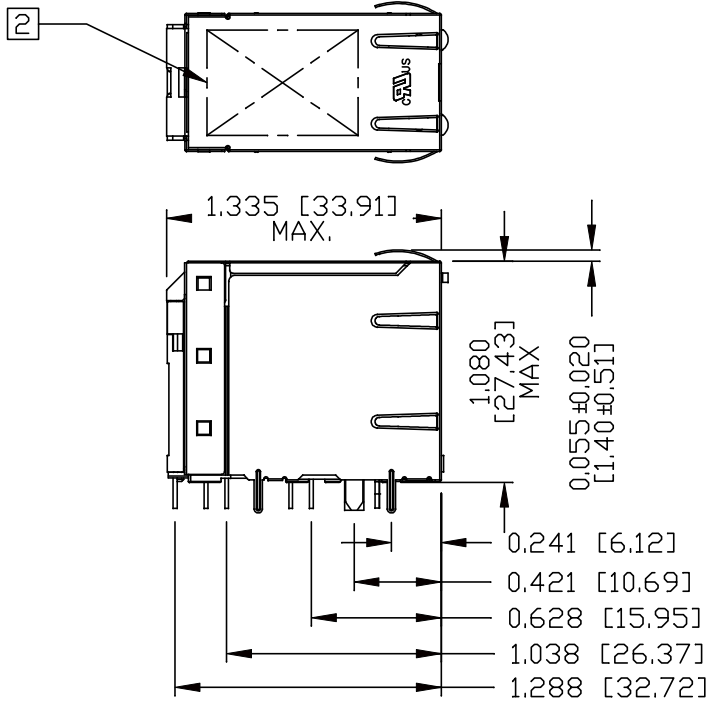
[] METRIC DIM. AS REF.

UNIT : INCH [mm]
SCALE : N/A
SIZE : A4



THE INFORMATION CONTAINED HEREIN IS CONSIDERED "PROPRIETARY" TO BEL FUSE INC. AND SHALL NOT BE COPIED, REPRODUCED OR DISCLOSED WITHOUT THE WRITTEN APPROVAL OF BEL FUSE INC.

RoHS



NOTES:

- PLASTIC HOUSING: THERMOPLASTIC PBT, BLACK
FLAMMABILITY RATING UL 94V-0
- CONTACT PLATING: 50 MICRO-INCH HARD GOLD PLATING OR EQUIVALENT.
- OUTPUT PINS: TIN-COATED COPPER WIRE, DIA 0.018 INCH.
100 MICRO-INCH MIN MATTE TIN.
PINS ARE SOLDER DIPPED.
- METAL SHIELD: NICKEL PLATED ON COPPER ALLOY.
(ALL GROUND LEADS ARE SOLDER DIPPED)

- [1] JACK CAVITY CONFORMS TO FCC RULES AND REGULATIONS, PART 68 SUBPART F.
- [2] MARK PART WITH MFG LOGO, MFG NAME, PART NUMBER, DATE CODE, AND PATENTED.

- 3. THE PRODUCT IS RoHS COMPLIANCE.
c usUL RECOGNIZED - FILE #E196366 AND E169987.
- 4. THE PRODUCT IS PATENTED. THE PATENT NUMBER IS U.S. PAT. 6,840,817.
- 5. THE PART IS RECOMMENDED FOR WAVE SOLDERING. THE SUGGESTED PEAK WAVE SOLDERING CONDITION IS 260°C MAX AND 10 SECONDS MAX.

REV. :	B	PAGE :	4
--------	---	--------	---



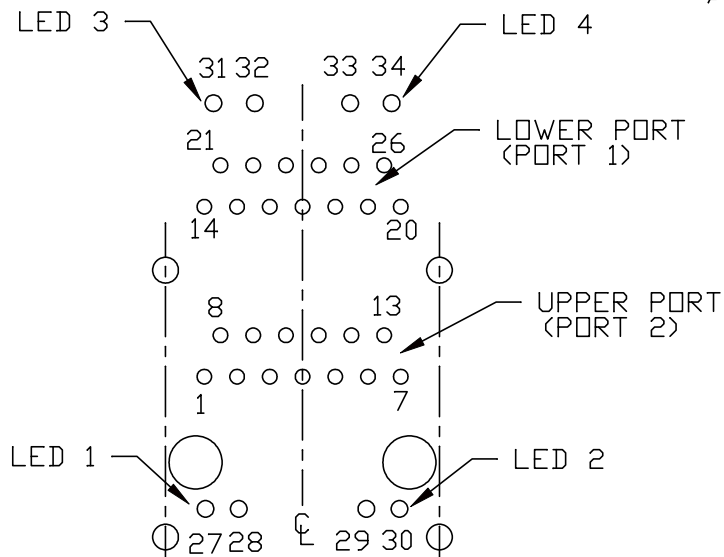
ORIGINATED BY SANDY LIN DATE 2018-12-19	TITLE 2X1 gigabit MagJack® (with LED) PATENTED (Extend Temperature of -E4)	PART NO. / DRAWING NO. 0845-2R1T-DY	STANDARD DIM. TOL. IN INCH	[] METRIC DIM. AS REF.
		FILE NAME 0845-2R1T-DY_B.DWG	.X	UNIT : INCH [mm]
			.XX	SCALE : N/A
			.XXX ±0.010	SIZE : A4

THE INFORMATION CONTAINED HEREIN IS CONSIDERED "PROPRIETARY" TO BEL FUSE INC. AND SHALL NOT BE COPIED, REPRODUCED OR DISCLOSED WITHOUT THE WRITTEN APPROVAL OF BEL FUSE INC.

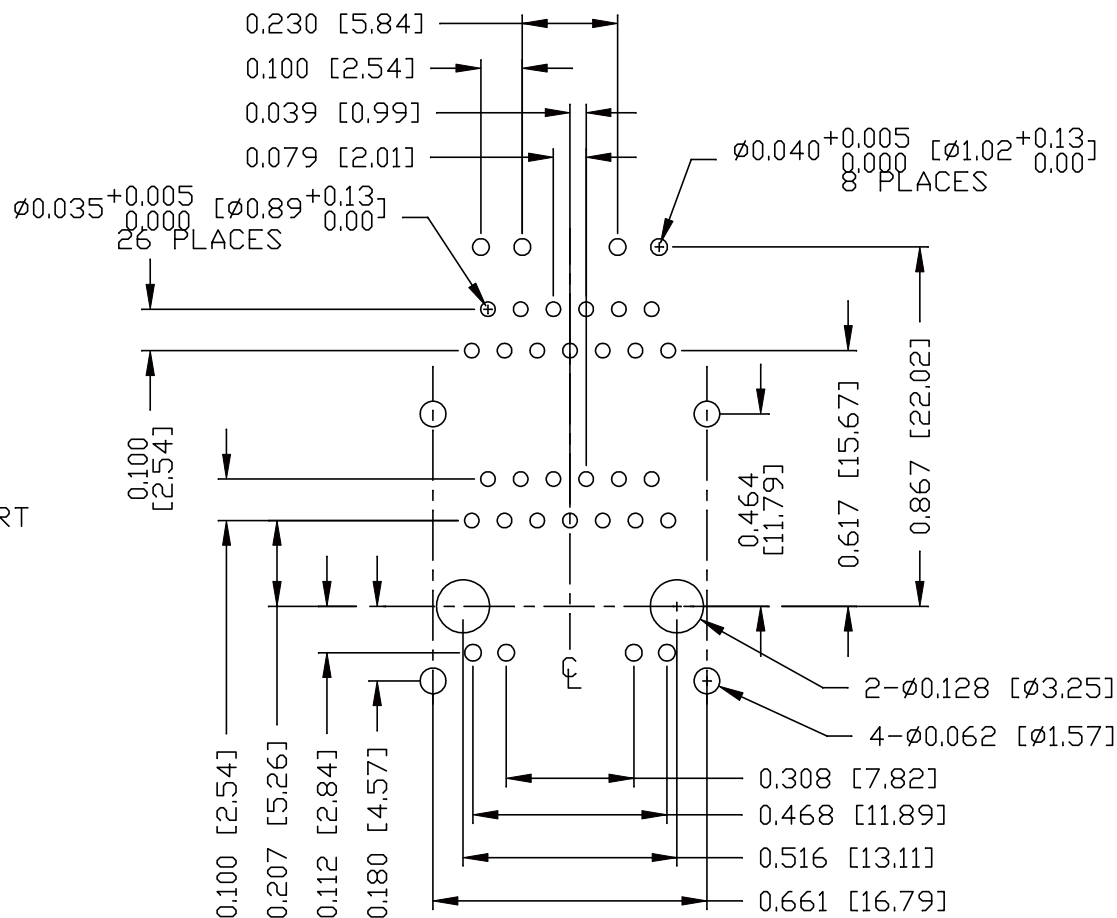
RoHS



LED CONFIGURATION



PIN-OUT INFORMATION
 (COMPONENT SIDE VIEW)
 (SCALE 2:1)



SUGGESTED FOOTPRINT
 (COMPONENT SIDE VIEW)
 (SCALE 2:1)

REV. : B PAGE : 5

ORIGINATED BY
 SANDY LIN
 DATE 2018-12-19
 DRAWN BY
 OLIVER ZHANG
 DATE 2018-12-19

TITLE
 2X1 gigabit MagJack®
 (with LED)
 PATENTED
 (Extend Temperature of -E4)

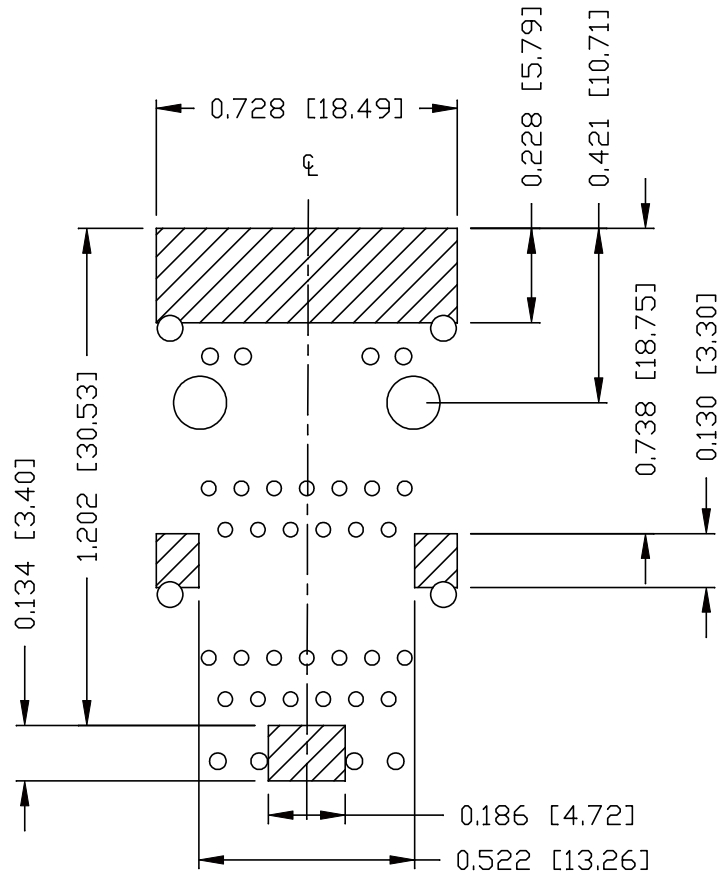
PART NO. / DRAWING NO.
 0845-2R1T-DY
 FILE NAME
 0845-2R1T-DY_B.DWG

STANDARD DIM. TOL. IN INCH	[] METRIC DIM. AS REF.
.X	UNIT : INCH [mm]
.XX	SCALE : N/A
.XXX	SIZE : A4



THE INFORMATION CONTAINED HEREIN IS CONSIDERED "PROPRIETARY" TO BEL FUSE INC. AND SHALL NOT BE COPIED, REPRODUCED OR DISCLOSED WITHOUT THE WRITTEN APPROVAL OF BEL FUSE INC.

RoHS



NOTES

THE SHADED AREA ON THE CUSTOMER BOARD ARE RECOMMENDED TO BE CLEAR OFF ANY VIA HOLE OR COMPONENT PAD.

REV. : B PAGE : 6

ORIGINATED BY
SANDY LIN
DATE 2018-12-19
DRAWN BY
OLIVER ZHANG
DATE 2018-12-19

TITLE
2X1 gigabit MagJack®
(with LED)
PATENTED
(Extend Temperature of -E4)

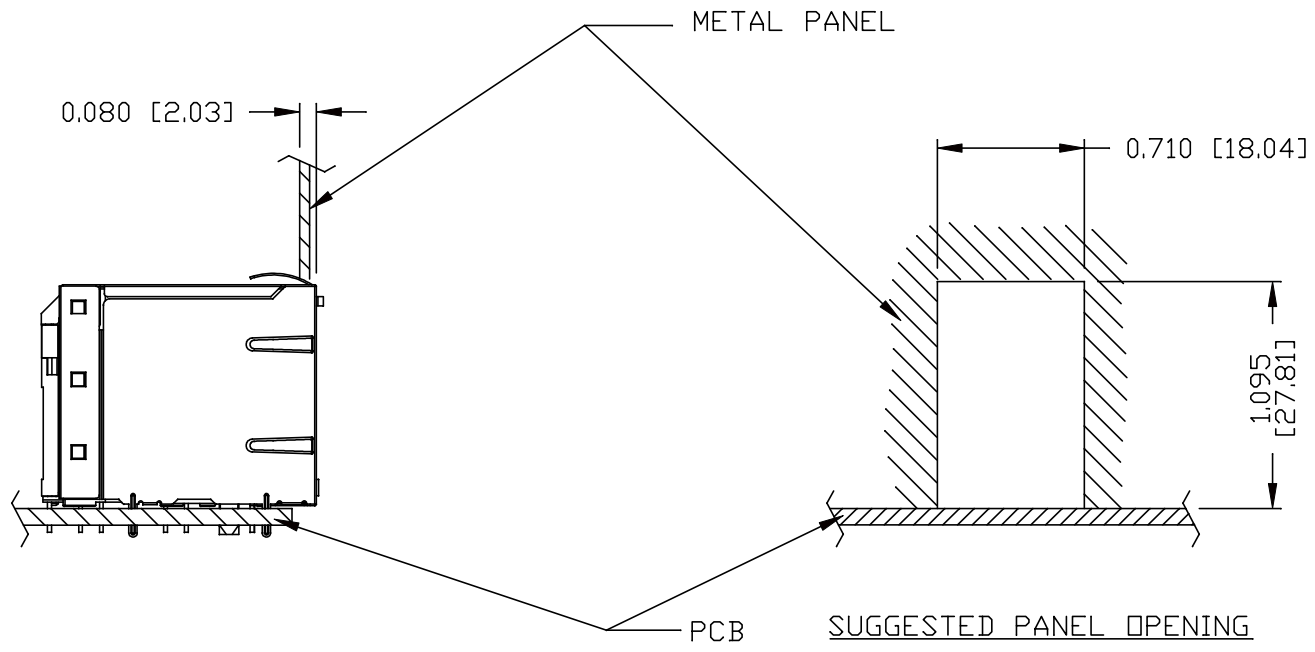
PART NO. / DRAWING NO.
0845-2R1T-DY
FILE NAME
0845-2R1T-DY_B.DWG

STANDARD DIM. TOL. IN INCH	[] METRIC DIM. AS REF.
.X	UNIT : INCH [mm]
.XX	SCALE : N/A
.XXX	SIZE : A4





THE INFORMATION CONTAINED HEREIN IS CONSIDERED "PROPRIETARY" TO BEL FUSE INC. AND SHALL NOT BE COPIED, REPRODUCED OR DISCLOSED WITHOUT THE WRITTEN APPROVAL OF BEL FUSE INC.



NOTE:
 THE DISTANCE OF PANEL INSIDE SURFACE RELATIVE TO FRONT SURFACE OF PART IS ONLY A SUGGESTION. IN CASE THIS DISTANCE IS DIFFERENT, THE REQUIRED PANEL OPENING DIMENSIONS CHANGE ACCORDINGLY.

PACKING INFORMATION

PACKING TRAY: 0200-9999-H5 (TOP)
 0200-9999-H6 (BOTTOM)

PACKING QUANTITY: 40 PCS FINISHED GOODS PER TRAY
 6 TRAYS (240 PCS FINISHED GOODS) PER CARTON BOX.

NOTE: CARDBOARD ARE PLACED BETWEEN LAYERS OF PACKING TRAY INSIDE CARTON BOX.
 (INCLUDE THE UPPERMOST AND LOWEREST TRAY)

REV. : B PAGE : 7

ORIGINATED BY
 SANDY LIN
 DATE 2018-12-19
 DRAWN BY
 OLIVER ZHANG
 DATE 2018-12-19

TITLE
 2X1 gigabit MagJack®
 (with LED)
 PATENTED
 (Extend Temperature of -E4)

PART NO. / DRAWING NO.
 0845-2R1T-DY
 FILE NAME
 0845-2R1T-DY_B.DWG

STANDARD DIM. TOL. IN INCH		[] METRIC DIM. AS REF.
.X		UNIT : INCH [mm]
.XX		SCALE : N/A
.XXX	±0.005	SIZE : A4



Mouser Electronics

Authorized Distributor

Click to View Pricing, Inventory, Delivery & Lifecycle Information:

Bel:

[0845-2R1T-DY](#)