

INTEGRATED CONNECTOR MODULES

0845-2D1A-W2 Gigabit Ethernet MagJack® 2 x 1 with LEDs



LED 3 POLARITY			LED 4 POLARITY		
PIN 31	PIN 32	COLOR	PIN 33	PIN 34	COLOR
+	-	YELLOW	+	-	GREEN

ELECTRICAL CHARACTERISTICS @ 25°C

TURNS RATIO

TP1	1CT : 1CT ±2%
TP2	1CT : 1CT ±2%
TP3	1CT : 1CT ±2%
TP4	1CT : 1CT ±2%

OCCL @ 100kHz/100mVRMS

8mA DC BIAS (0°C - 70°C)	350µH MIN.
--------------------------	------------

INS. LOSS

100kHz-100MHz	-1.2 dB MAX
---------------	-------------

RET. LOSS (MIN) @ 100DHMS ±15%

0.1MHz-40MHz	-18 dB
40MHz-100MHz	-12+20LOG(f/80MHz) dB

CROSS TALK

1MHz-100MHz	-35 dB MIN
-------------	------------

CM TO CM REJ

100kHz-1MHz	-70 dB MIN
10 MHz	-47 dB MIN
30 MHz	-42 dB MIN
60 MHz	-37 dB MIN
100 MHz	-30 dB MIN
200 MHz	-30 dB TYP
500 MHz	-25 dB TYP
1 GHZ	-30 dB TYP

CM TO DM REJ

100kHz-1MHz	-70 dB MIN
10 MHz	-60 dB MIN
30 MHz	-50 dB MIN
60 MHz	-45 dB MIN
100 MHz	-40 dB MIN
200 MHz	-40 dB TYP
500 MHz	-40 dB TYP
1 GHZ	-40 dB TYP

HIPOT (Isolation Voltage): 1500 Vrms or 2250 VDC

100% OF PRODUCT TESTED IN PRODUCTION

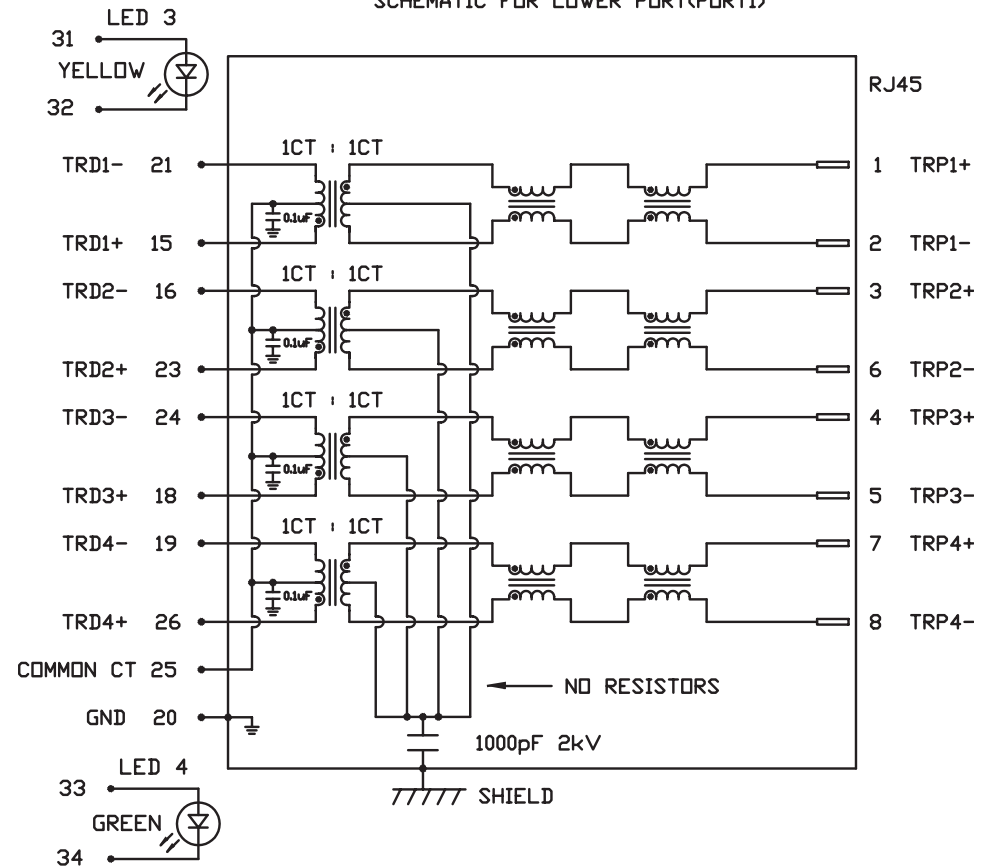
LED 3 (Super bright)

VF (FORWARD VOLTAGE)	IF=20mA YELLOW	2.1V TYP.
λD (DOMINANT WAVELENGTH)	IF=20mA YELLOW	590nm TYP.

LED 4 (Super bright)

VF (FORWARD VOLTAGE)	IF=20mA GREEN	2.2V TYP.
λD (DOMINANT WAVELENGTH)	IF=20mA GREEN	565nm TYP.

SCHEMATIC FOR LOWER PORT (PORT1)



INTEGRATED CONNECTOR MODULES

0845-2D1A-W2 Gigabit Ethernet MagJack® 2 x 1 with LEDs



LED 1 POLARITY			LED 2 POLARITY		
PIN 27	PIN 28	COLOR	PIN 29	PIN 30	COLOR
+	-	YELLOW	+	-	GREEN

HIPOT (Isolation Voltage): 1500 Vrms or 2250 VDC
 100% OF PRODUCT TESTED IN PRODUCTION

ELECTRICAL CHARACTERISTICS @ 25°C

URNS RATIO

TP1	1CT : 1CT ±2%
TP2	1CT : 1CT ±2%
TP3	1CT : 1CT ±2%
TP4	1CT : 1CT ±2%

DCL @ 100kHz/100mVRMS

8mA DC BIAS (0°C - 70°C) 350µH MIN.

INS. LOSS

100kHz-100MHz -1.2 dB MAX

RET. LOSS (MIN) @ 100ΩHMS ±15%

0.1MHz-40MHz	-18 dB
40MHz-100MHz	-12+20LOG(F/80MHz) dB

CROSS TALK

1MHz-100MHz -35 dB MIN

CM TO CM REJ

100kHz-1MHz	-70 dB MIN
10 MHz	-47 dB MIN
30 MHz	-42 dB MIN
60 MHz	-37 dB MIN
100 MHz	-30 dB MIN
200 MHz	-30 dB TYP
500 MHz	-25 dB TYP
1 GHz	-30 dB TYP

CM TO DM REJ

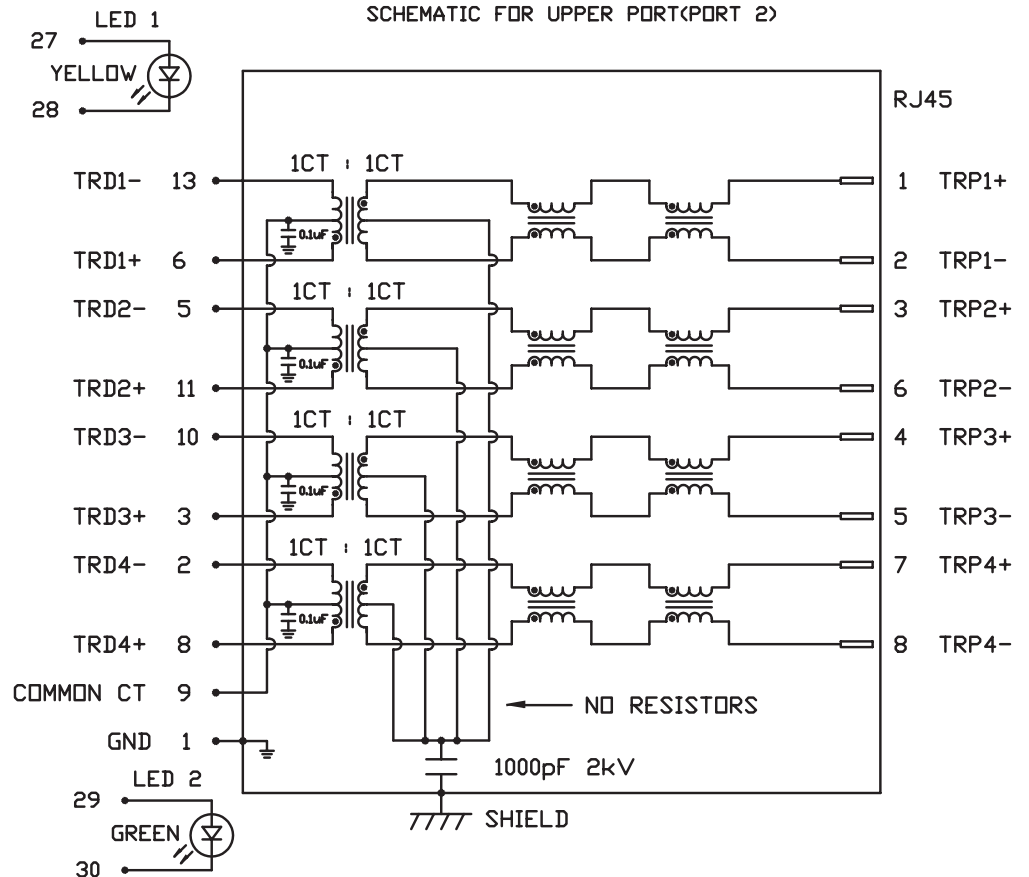
100kHz-1MHz	-70 dB MIN
10 MHz	-60 dB MIN
30 MHz	-50 dB MIN
60 MHz	-45 dB MIN
100 MHz	-40 dB MIN
200 MHz	-40 dB TYP
500 MHz	-40 dB TYP
1 GHz	-40 dB TYP

LED 1

VF (FORWARD VOLTAGE) IF=20mA YELLOW 2.1V TYP.
 λD (DOMINANT WAVELENGTH) IF=20mA YELLOW 590nm TYP.

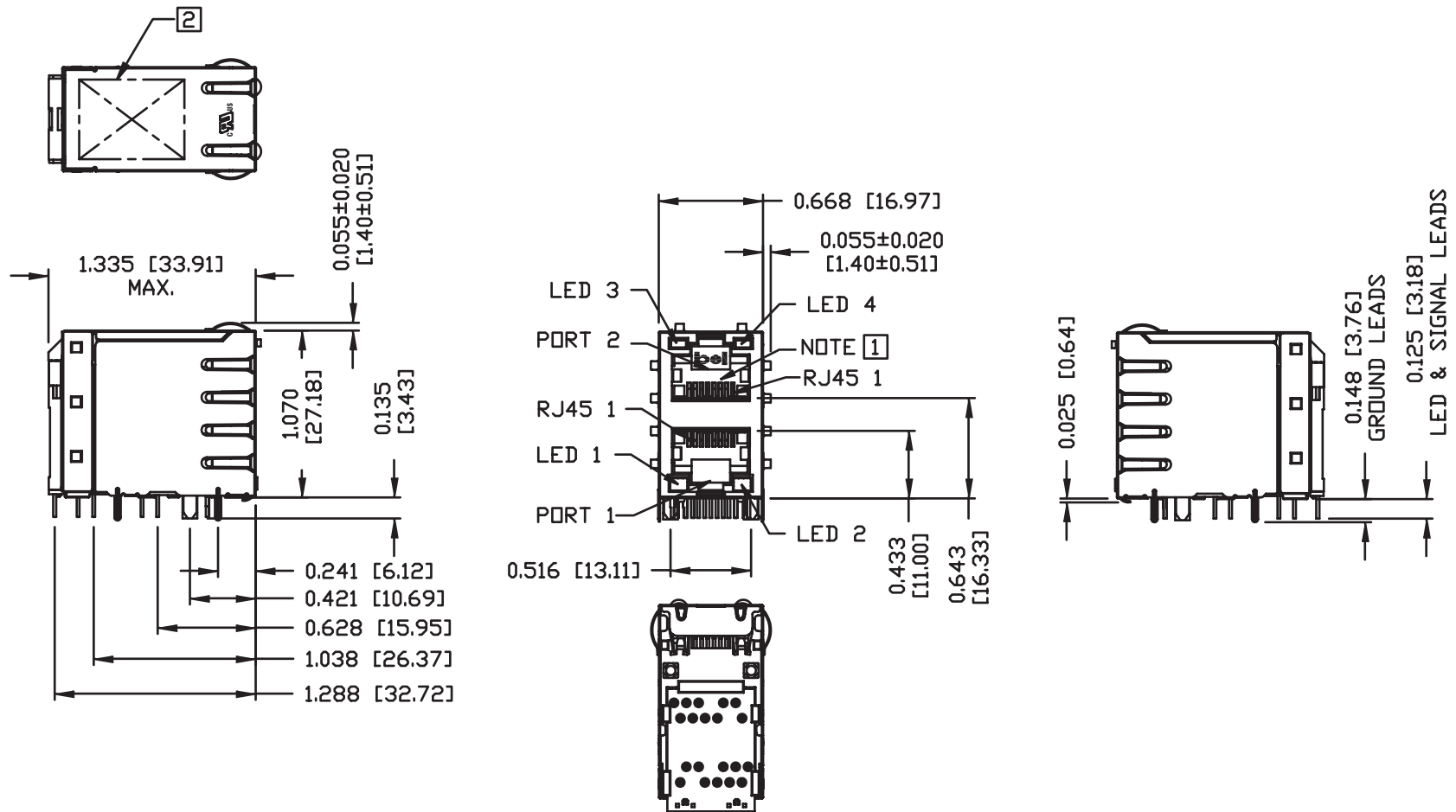
LED 2

VF (FORWARD VOLTAGE) IF=20mA GREEN 2.2V TYP.
 λD (DOMINANT WAVELENGTH) IF=20mA GREEN 565nm TYP.



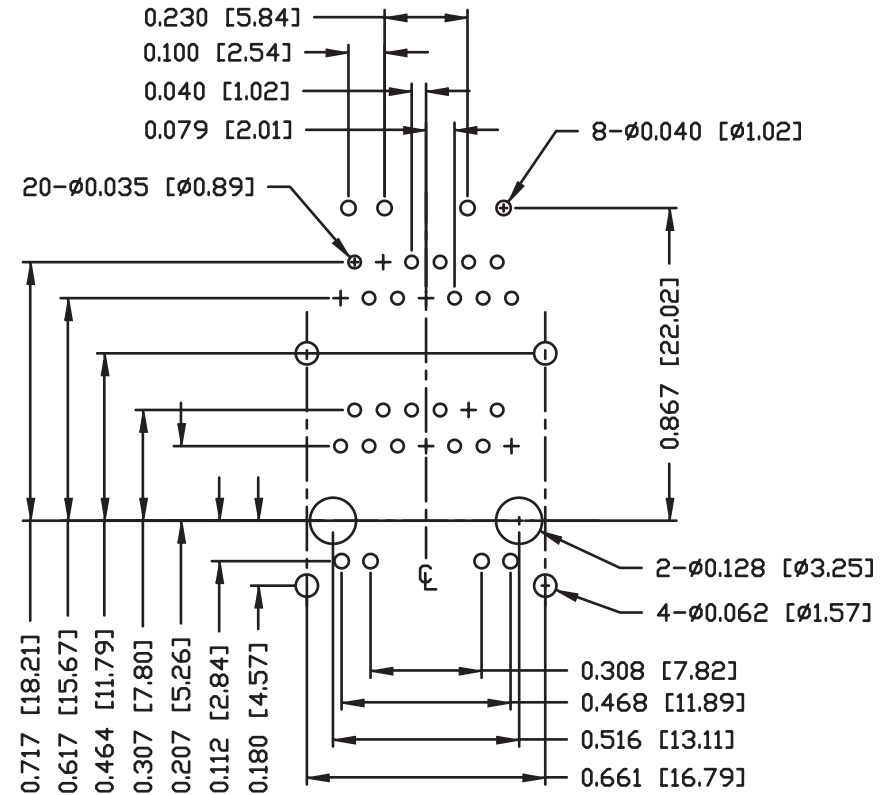
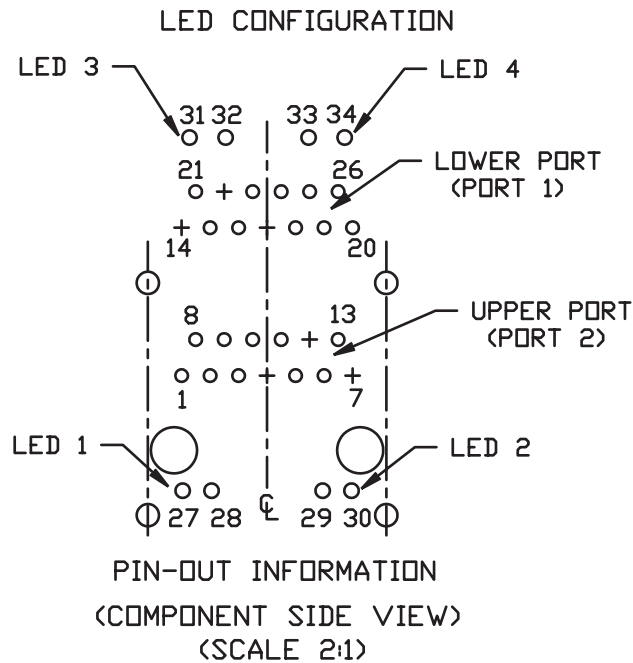
INTEGRATED CONNECTOR MODULES

0845-2D1A-W2 Gigabit Ethernet MagJack® 2 x 1 with LEDs



INTEGRATED CONNECTOR MODULES

0845-2D1A-W2 Gigabit Ethernet MagJack® 2 x 1 with LEDs



NOTES:

- PLASTIC HOUSING: THERMOPLASTIC PBT
FLAMMABILITY RATING UL 94V-0
- CONTACT PLATING: 50 MICRO-INCH HARD GOLD PLATING
- OUTPUT PINS: TIN-COATED COPPER WIRE, DIA 0.018 INCH.
- METAL SHIELD: NICKEL PLATED ON COPPER ALLOY.
(ALL GROUND LEADS ARE SOLDER DIPPED)

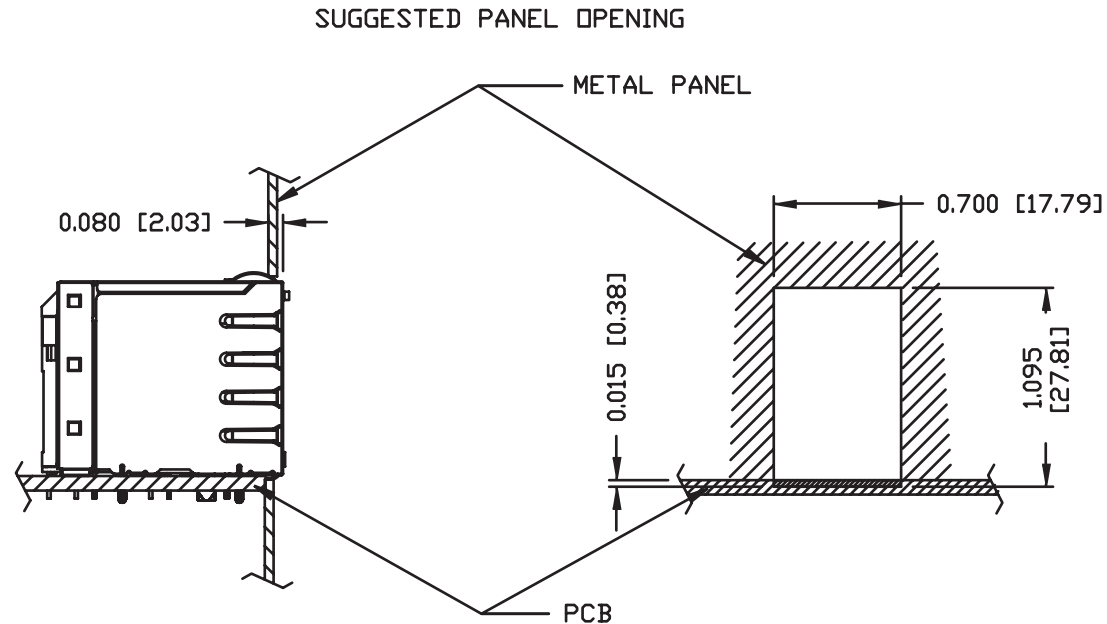
1. JACK CAVITY CONFORMS TO FCC RULES AND REGULATIONS, PART 68 SUBPART F.
2. MARK PART WITH MFG LOGO, MFG NAME, PART NUMBER, AND DATE CODE.

RoHS COMPLIANCE, PER EU DIRECTIVE 2002/95/EC.

UL US UL RECOGNIZED - FILE #E196366 AND E169987.

INTEGRATED CONNECTOR MODULES

0845-2D1A-W2 Gigabit Ethernet MagJack® 2 x 1 with LEDs



NOTE:

THE DISTANCE OF PANEL INSIDE SURFACE RELATIVE TO FRONT SURFACE OF PART IS ONLY A SUGGESTION. IN CASE THIS DISTANCE IS DIFFERENT, THE REQUIRED PANEL OPENING DIMENSIONS CHANGE ACCORDINGLY.

PACKING INFORMATION

PACKING TRAY: 0200-9999-H5 (TOP)
0200-9999-H6 (BOTTOM)

PACKING QUANTITY: 40 PCS FINISHED GOODS PER TRAY
6 TRAYS (240 PCS FINISHED GOODS) PER CARTON BOX.

NOTE: CARDBOARD ARE PLACED BETWEEN LAYERS OF PACKING TRAY INSIDE CARTON BOX.
(INCLUDE THE UPPERMOST AND LOWEREST TRAY)