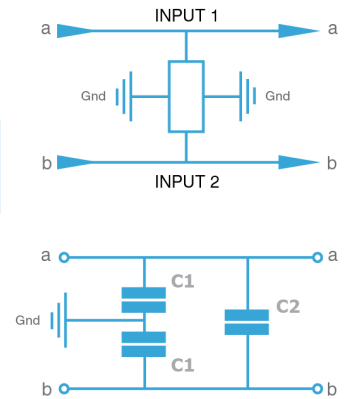
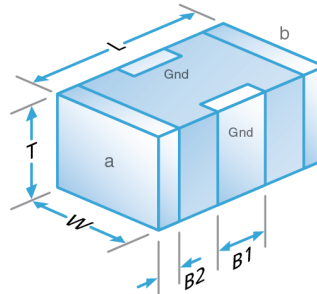


# Multilayer Ceramic Chip Capacitor

**Part Number:** 0805J1000221MCTE03

**Description:** 0805 100V 220pF ±20% C0G/NP0 (1B)

A range of ceramic MLCC bypass 'C' filters offering exceptionally low inductance and enhanced performance using the 'X2Y' style internal electrode structure, Bypass application means there is no current limiting factor with this component. Ideally suited to balanced line applications, where the 2 capacitors per single chip ensure common thermal & voltage variation. Available with a variety of termination options including FlexiCap™ (on X7R), the world's first commercially available flexible termination.



## Mechanical Specification

Size Code	0805
Length (L1) in mm (")	2.0 ± 0.30 (0.079 ± 0.012)
Width (W) in mm (")	1.25 ± 0.20 (0.049 ± 0.008)
Thickness (T) in mm (")	1.0 ± 0.15 (0.039 ± 0.006)
Termination Bands (B2) in mm (")	0.30 ± 0.15 (0.012 ± 0.006)
Center (Ground) Band (B1) in mm (")	0.50 ± 0.25 (0.02 ± 0.01)
Termination Material	Nickel Barrier, Sn Plated Solder (RoHS compliant)
Solderability	IEC-60068-2-58
Packaging	7" Reel Horizontal Orientation, 3000 per reel

## General Electrical Specification

Rated Voltage	100Vdc
Nominal Capacitance Value (line to ground)	220pF
Capacitance Tolerance	±20%
Nominal Capacitance Value (line to line)	110pF
Tangent of Loss Angle (Tan δ)	≤0.0015
Capacitance and Tan δ Test Conditions	1.0Vrms @ 1MHz
Voltage Proof	250Vdc
(Voltage applied for 5 secs max. @ 50mA max. charge current)	
Min Insulation Resistance (IR) L-G	100.00GOhm @ 100Vdc
Min Insulation Resistance (IR) L-L	200.00GOhm
Dielectric Classification	C0G/NP0 (1B)
Rated Temperature Range	-55°C / +125°C
Maximum Capacitance Change over Temperature Range	No DC Voltage 0±30ppm/°C Rated DC Voltage -
Climatic Category (IEC)	55/125/56
Ageing Characteristic	Zero

### Knowles Precision Devices - Sales

Europe: KPD-Europe-sales@knowles.com

Asia: KPD-Asia-sales@knowles.com

USA: KPD-NA-sales@knowles.com

[www.knowlescapacitors.com](http://www.knowlescapacitors.com)

This datasheet is for a standard item and is confirmed valid on the date generated, the latest published data for this part may differ and is available at <http://www.knowlescapacitors.com> or by contacting us.

© The information contained on this drawing is confidential and may not be copied in whole or part in any form or disclosed to a third party without the consent of Knowles and any customer mentioned within this specification.

Data is correct to the best of our knowledge, errors and omissions excepted.

Date: Thursday, April 23, 2020

20200423 152209696UTC

# Multilayer Ceramic Chip Capacitor

**Part Number:** 0805J1000221MCTE03

**Description:** 0805 100V 220pF ±20% C0G/NP0 (1B)

## Environmental

RoHS Compliant to 2011/65/EC as amended by 2015/863/EU	Compliant
REACH Compliant	205 compliant
California Proposition 65	No exposure risk

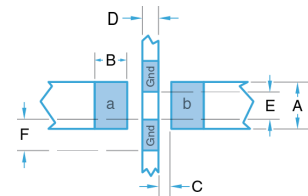
## Board Layout

Knowles' conventional 3-terminal chip capacitors should be mounted using the pad design supplied.

It has been developed in conjunction with our customers over the years and has been shown to yield successful soldering results. It incorporates factors that have been shown to reduce mechanical stress, such as reducing the pad width to less than the chip width, but the position of the chip on the board should also be considered.

Note that for optimum noise rejection the ground pads should be placed on the circuit board ground plane, or connected to the ground plane by the shortest and widest route possible.

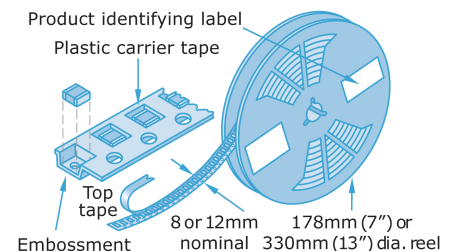
		0805	
A	0.95mm	0.037"	
B	0.90mm	0.035"	
C	0.30mm	0.012"	
D	0.40mm	0.016"	
E	0.75mm	0.030"	
F	0.56mm	0.022"	



## Packaging

Tape packaging information for tape-and-reel parts:

Tape and reel packing of surface mounting chip capacitors for automatic placement are in accordance with IEC60286-3.



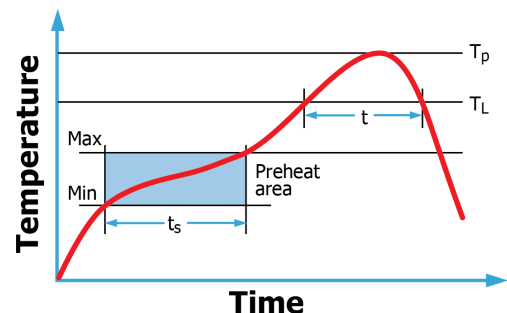
## Soldering

Reflow solder in accordance with IPC-A-610. Recommended reflow profile as laid down in IPC/JEDEC J-STD-020.

Wave soldering is also possible, but care must be taken for case sizes 1210 and larger and component thickness >1.0mm. Trials are encouraged.

Hand soldering is not recommended and can lead to component damage through thermal shock.

Application notes with mounting and handling guidance are available on request.



Compex

DLI

Johanson MFG

Novacap

Syfer

Voltronics

### Knowles Precision Devices - Sales

Europe: KPD-Europe-sales@knowles.com

Asia: KPD-Asia-sales@knowles.com

USA: KPD-NA-sales@knowles.com

[www.knowlescapacitors.com](http://www.knowlescapacitors.com)

This datasheet is for a standard item and is confirmed valid on the date generated, the latest published data for this part may differ and is available at <http://www.knowlescapacitors.com> or by contacting us.

© The information contained on this drawing is confidential and may not be copied in whole or part in any form or disclosed to a third party without the consent of Knowles and any customer mentioned within this specification.

Data is correct to the best of our knowledge, errors and omissions excepted.

Date: Thursday, April 23, 2020

20200423 152209696UTC