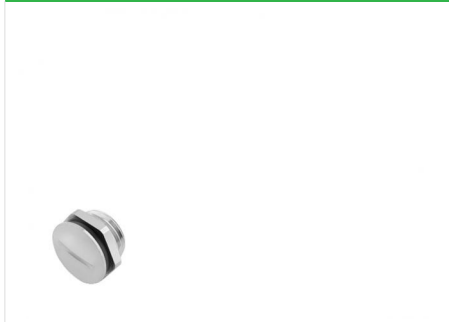
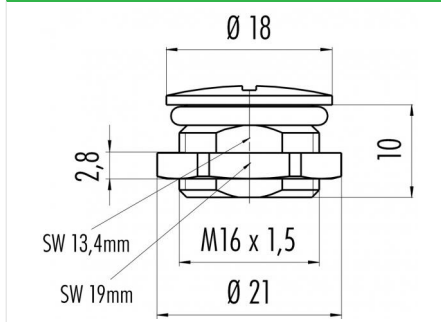


Product description **M12-A/B/D/K/K/L/S/T/US/X - Blank cap, M16x1.5; Series 713/715/763/766/813/814/815/825/866/876**
 Order number **08 3129 000 000**

Illustration



Scale drawing



Technical data

General features

Order number	08 3129 000 000
Degree of protection	IP67
Thread	M16x1,5
Temperature range	-40°C/+85°C
Additional information	Alternativ mit Fläche als Verdrehschutz
Weight (g)	19.3
Customs tariff number	85366990

Material

REACH SVHC	CAS 7439-92-1 (Lead)
Material	CuZn-Ni

Classifications

eCl@ss 11.1	27-44-02-08
ETIM 7.0	EC002314