

MATERIALS AND FINISHES

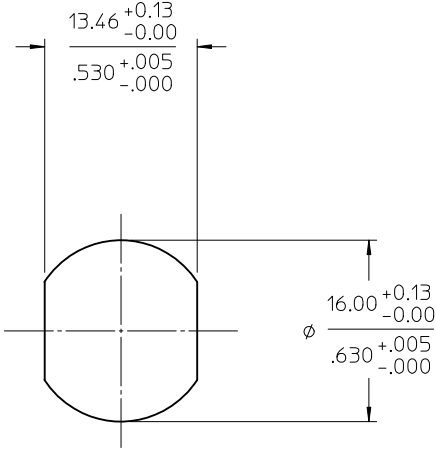
BODY, JAM NUT, LOCKWASHER BRASS
PLATED NICKEL

CENTER CONTACT BERYLLIUM COPPER
PLATED GOLD

INSULATOR TEFLON

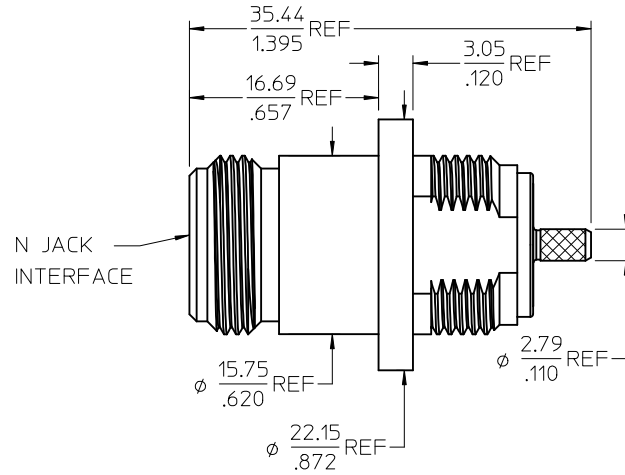
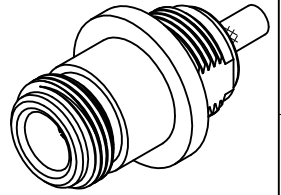
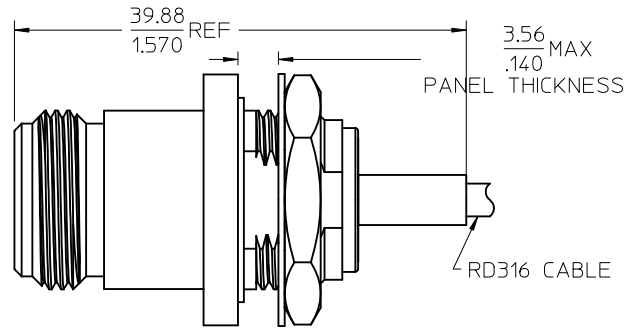
GASKET SILICONE RUBBER

CRIMP USING .151 HEX DIE

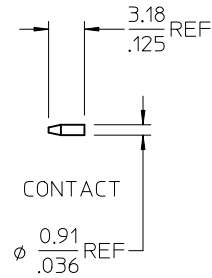


RECOMMENDED MOUNTING
HOLE PATTERN

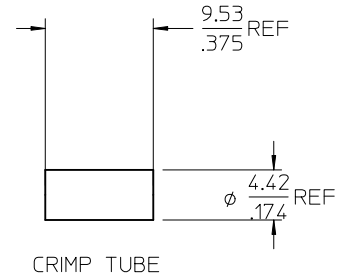
PART # 73276-0920



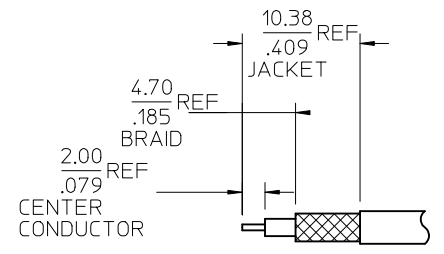
N JACK
INTERFACE



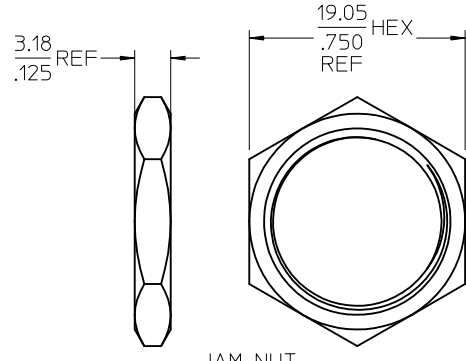
CONTACT



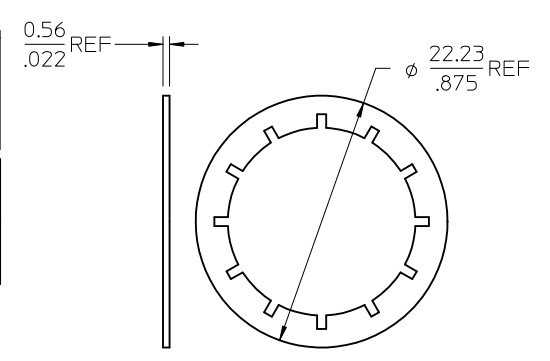
CRIMP TUBE



CABLE STRIP DIMENSIONS



JAM NUT



LOCKWASHER

PS-89675-2220	PRODUCT SPEC
MIL-STD-348A, FIG. 304.1	INTERFACE
SPECIFICATION	DESCRIPTION

CHG: ADDED PS	2010/09/03
EC NO: URF2011-0141	2010/09/03
DRWN:JLEE02	2010/09/03
CHKD:SSS	2010/09/03
APPR:JWIENER	2010/09/03
REV	DESCRIPTION
A3	

QUALITY SYMBOLS	▽=0
▽=0	

GENERAL TOLERANCES (UNLESS SPECIFIED)	mm	INCH
4 PLACES	± .005	± .0005
3 PLACES	± .003	± .0003
2 PLACES	± .002	± .0002
1 PLACE	± .001	± .0001
ANGULAR ± 2 °		
DRAFT WHERE APPLICABLE MUST REMAIN WITHIN DIMENSIONS		

DIMENSION STYLE		SCALE
MM/IN		DESIGN UNITS METRIC
DRAWN BY	DATE	TITLE
TEF	2003/10/03	N JACK, BULKHEAD, FOR RD316 CABLE, 50 OHMS EWR-2005, N-JC/BLK
CHECKED BY	DATE	
SSS	2003/10/03	
APPROVED BY	DATE	
GMH	2003/10/03	
MATERIAL NO.	DOCUMENT NO.	SHEET NO.
732760920	SD-73276-092	1 OF 1

THIRD ANGLE PROJECTION	
MOLEX INCORPORATED	
THIS DRAWING CONTAINS INFORMATION THAT IS PROPRIETARY TO MOLEX INCORPORATED AND SHOULD NOT BE USED WITHOUT WRITTEN PERMISSION	