

PLEASE CHECK WWW.MOLEX.COM FOR LATEST PART INFORMATION

Part Number: [0639119900](#)
Status: **Active**
Overview: [Application Tooling](#)
Description: T2 Terminator for 3.96mm Pitch Crimp Terminal, 24 AWG

Documents:

[RoHS Certificate of Compliance \(PDF\)](#)

General

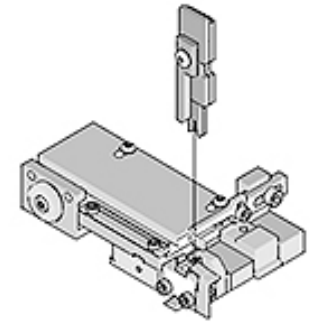
Product Family	Application Tooling
Series	207122
Comments	See Tooling Specification (PDF) Above
Function	Crimp
Geographic Area	Global
Level of Automation	Semi-Automatic
More Detailed Tech Information	applicationtooling@molex.com
Overview	Application Tooling
Product Name	CP-6.5, T2
Tool Type	Terminator Die
UPC	884982396869
Warranty Disclaimer	CAUTION: Molex tooling crimp specifications are valid only when used with Molex terminals and tooling manufactured by Molex and sold by Molex or authorized distributors ("Molex Tooling"). When using tooling other than Molex Tooling with Molex specific connector systems listed in our ATS documents, the Molex tooling qualification does not apply and the responsibility for full qualification of the connector system is that of the customer. Molex accepts no liability for connector performance or tooling support where tooling other than Molex Tooling is used or where Molex Tooling is modified.

Material Info

Reference - Drawing Numbers

Application Tooling Documents

ATS-639119900, TM-638000029-001, TM-638000029CN-001, TM-638000029DE-001, TM-638000029FR-001, TM-638000029IT-001, TM-638000029JP-001, TM-638000029KR-001, TM-638000029MY-001, TM-638000029PL-001, TM-638000029RU-001, TM-638000029SK-001, TM-638000029SP-001, TM-638000029TH-001, TM-638000029TW-001, TM-638000029VN-001, TM-638500090, TM-638500090SP



Series image - Reference only

EU ELV

Not Reviewed

EU RoHS

Not Reviewed

REACH SVHC

Not Reviewed

Halogen-Free

Status

Not Reviewed

For more information, please visit [Contact US](#)

China ROHS

Not Reviewed

ELV

Not Reviewed

RoHS Phthalates

Not Reviewed

Search Parts in this Series

[207122 Series](#)

Use With

Molex TM-42 Press [690025001](#) and Base Unit [11193001](#) for the 3BF Press

Application Tooling

Description

FAQ

Product #

1.57mm Diameter, [2061101](#)

Standard .062" Pin and Socket Crimp Terminal, Female, with Tin (Sn) Plated Brass Contact, 18-24 AWG, Reel

1.57mm Diameter, [2061103](#)

Standard .062" Pin and Socket Crimp Terminal, Female, with Tin (Sn) Plated Brass Contact, 18-24 AWG, Bag

1.57mm Diameter, [2061104](#)

Standard .062" Pin and Socket Crimp Terminal, Series

4529, Female, with
Tin (Sn) Plated
Phosphor Bronze
Contact, 18-24 AWG,
Reel

1.57mm Diameter, 2061118
Standard .062" Pin
and Socket Crimp
Terminal, Series

1561, Female, with
Tin (Sn) Plated Brass
Contact, Without
Locking Tabs,
18-24 AWG, Reel
Packaged

1.57mm Diameter, 2061131
Standard .062" Pin
and Socket Crimp
Terminal, Series

1855, Female, with
Tin (Sn) Plated Brass
Contact, 24-30 AWG,
Reel

1.57mm Diameter, 2061132
Standard .062" Pin
and Socket Crimp
Terminal, Series

1855, Female, with
Tin (Sn) Plated Brass
Contact, 24-30 AWG,
Bag

1.57mm Diameter, 2061141
Standard .062" Pin
and Socket Crimp
Terminal, Series

1855, Female, with
Tin (Sn) Plated
Brass Contact,
24-30 AWG, Without
Locking Tabs, Reel
Packaged

1.57mm Diameter, 2061143
Standard .062" Pin
and Socket Crimp
Terminal, Series

1855, Female, with
Tin (Sn) Plated Brass
Contact, 24-30 AWG,
Reel Packaged with
Interleaf Paper

1.57mm Diameter, 2062101
Standard .062" Pin
and Socket Crimp
Terminal, Series

1560, Male, with Tin
(Sn) Plated Brass
Contact, 18-24 AWG,
Reel

1.57mm Diameter, 2062103
Standard .062" Pin
and Socket Crimp
Terminal, Series

1560, Male, with Tin
(Sn) Plated Brass

Contact, 18-24 AWG,
Bag
1.57mm Diameter, 2062131
Standard .062" Pin
and Socket Crimp
Terminal, Series
1854, Male, with Tin
(Sn) Plated Brass
Contact, 24-30 AWG,
Reel
1.57mm Diameter, 2062132
Standard .062" Pin
and Socket Crimp
Terminal, Series
1854, Male, with Tin
(Sn) Plated Brass
Contact, 24-30 AWG,
Bag
1.57mm Diameter, 2065100
Standard .062" Pin
and Socket Crimp
Terminal, Female,
with 0.38 μ m Gold
(Au) Plated Brass
Contact, 18-24 AWG,
Reel
1.57mm Diameter, 2065101
Standard .062" Pin
and Socket Crimp
Terminal, Female,
with 0.76 μ m Gold
(Au) Plated Brass
Contact, 18-24 AWG,
Reel
1.57mm Diameter, 2065102
Standard .062" Pin
and Socket Crimp
Terminal, Female,
with 0.76 μ m Gold
(Au) Plated Brass
Contact, 18-24 AWG,
Bag
1.57mm Diameter, 2065103
Standard .062" Pin
and Socket Crimp
Terminal, Female,
with 0.38 μ m Gold
(Au) Plated Brass
Contact, 18-24 AWG,
Bag
1.57mm Diameter, 2065104
Standard .062" Pin
and Socket Crimp
Terminal, Series
1561, Female,
with 1.27 μ m Gold
Max. Insulation
Diameter, Loose in
Bag Packaged
1.57mm Diameter, 2065105
Standard .062" Pin
and Socket Crimp
Terminal, Series
1561, Female, with
1.27 μ m Gold Max.

Insulation Diameter,
Reel

1.57mm Diameter, 2065108
Standard .062" Pin
and Socket Crimp
Terminal, Female,
with Selective Gold
(Au) Plated Brass
Contact, 18-24 AWG,
Reel

1.57mm Diameter, 2065109
Standard .062" Pin
and Socket Crimp
Terminal, Female,
with Selective Gold
(Au) Plated Brass
Contact, 18-24 AWG,
Bag

1.57mm Diameter, 2065130
Standard .062" Pin
and Socket Crimp
Terminal, Series
1855, Female,
with 0.38 μ m Gold
(Au) Plated Brass
Contact, 24-30 AWG,
Reel

1.57mm Diameter, 2065135
Standard .062" Pin
and Socket Crimp
Terminal, Series
1855, Female,
with 0.38 μ m Gold
(Au) Plated Brass
Contact, 24-30 AWG,
Bag

1.57mm Diameter, 2065138
Standard .062" Pin
and Socket Crimp
Terminal, Series
1855, Female,
with 0.76 μ m Gold
(Au) Plated Brass
Contact, 24-30 AWG,
Reel

1.57mm Diameter, 2065139
Standard .062" Pin
and Socket Crimp
Terminal, Series
1855, Female,
with 0.76 μ m Gold
(Au) Plated Brass
Contact, 24-30 AWG,
Bag

1.57mm Diameter, 2065147
Standard .062" Pin
and Socket Crimp
Terminal, Series
1855, Female, with
Selective Gold
(Au) Plated Brass
Contact, 24-30 AWG,
Reel

1.57mm Diameter, 2065148
Standard .062" Pin

and Socket Crimp
Terminal, Series
1855, Female, with
Selective Gold
(Au) Plated Brass
Contact, 24-30 AWG,
Bag
1.57mm Diameter, 2066100
Standard .062" Pin
and Socket Crimp
Terminal, Series
1560, Male, with
Gold (Au) Plated
Brass Contact, 18-24
AWG, Reel
1.57mm Diameter, 2066101
Standard .062"
Pin and Socket
Crimp Terminal,
Series 1560, Male,
with .76µm Selective
Gold (Au) Plated
Brass Contact,
18-24 AWG, Reel
Packaged
1.57mm Diameter, 2066102
Standard .062"
Pin and Socket
Crimp Terminal,
Series 1560, Male,
with .76µm Selective
Gold (Au) Plated
Brass Contact, 18-24
AWG, Bag Packaged
1.57mm Diameter, 2066103
Standard .062" Pin
and Socket Crimp
Terminal, Series
1560, Male, with
Gold (Au) Plated
Brass Contact, 18-24
AWG, Bag
1.57mm Diameter, 2066104
Standard .062"
Pin and Socket
Crimp Terminal,
Series 1560, Male,
with Selective
1.27µm Select Gold
(Au) Plated Brass
Contact, 18-24 AWG,
Bag Packaged
062 Male Term 2066105
Chain Brs 50Au
18-24
1.57mm Diameter, 2066118
Standard .062" Pin
and Socket Crimp
Terminal, Series
1560, Male, with
Selective Gold
(Au) Plated Brass
Contact, Tin/Lead
Plated Crimp Area,
18-24 AWG, Reel

1.57mm Diameter, [2066119](#)
Standard .062" Pin
and Socket Crimp
Terminal, Series
1560, Male, with
Selective Gold
(Au) Plated Brass
Contact, Tin/Lead
Plated Crimp Area,
18-24 AWG, Bag

1.57mm Diameter, [2066122](#)
Standard .062"
Pin and Socket
PC Tail Terminal,
Series 1778, Male,
with Selective Gold
(Au) Plated Brass
Contact, Bag

.062 Male Term PC [2066125](#)
Tail 30 au

1.57mm Diameter, [2066130](#)
Standard .062" Pin
and Socket Crimp
Terminal, Series
1854, Male, with
Gold (Au) Plated
Brass Contact, 24-30
AWG, Reel

1.57mm Diameter, [2066135](#)
Standard .062" Pin
and Socket Crimp
Terminal, Series
1854, Male, with
Gold (Au) Plated
Brass Contact, 24-30
AWG, Bag

1.57mm Diameter, [2066138](#)
Standard .062" Pin
and Socket Crimp
Terminal, Series
1854, Male, with
Selective Gold
(Au) Plated Brass
Contact, 24-30 AWG,
Reel

1.57mm Diameter, [2066139](#)
Standard .062" Pin
and Socket Crimp
Terminal, Series
1854, Male, with
Selective Gold
(Au) Plated Brass
Contact, 24-30 AWG,
Bag

1.57mm Diameter, [2066143](#)
Standard .062" Pin
and Socket Crimp
Terminal, Series
1854, Male, with
Selective Gold
(Au) Plated Brass
Contact, Tin (Sn)
Plated Crimp Area,
24-30 AWG, Reel

1.57mm Diameter, 2066144
Standard .062" Pin
and Socket Crimp
Terminal, Series
1854, Male, with
Selective Gold
(Au) Plated Brass
Contact, Tin (Sn)
Plated Crimp Area,
24-30 AWG, Bag

1.57mm Diameter, 2067103
Standard .062" Pin
and Socket PC Tail
Terminal, Series
1779, Female,
with 2.54µm Tin
(Sn) Plated Brass
Contact, Bag
Packaged

1.57mm Diameter, 2067104
Standard .062" Pin
and Socket PC Tail
Terminal, Series
1779, Female,
with .76µm Selective
Gold (Au) Plated
Brass Contact, Bag
Packaged

1.57mm Diameter, 2068103
Standard .062" Pin
and Socket PC Tail
Terminal, Series
1778, Male, with Tin
(Sn) Plated Brass
Contact, Bag

062 Male Term Tin 2068104
PCTail Chn

Vertical Solder 2072101
Relief (VSR) Direct-
Solder Crimp
Terminal, Series
4706, Male, Tin
Terminal Progression

MLX Female Crimp 2081001
Terminal 42024,
14-20 AWG, Reel,
Brass, Tin (Sn)
Plating

MLX Crimp Terminal 2081002
42024, 14-20 AWG,
Bag Tin (Sn)

MLX Female Crimp 2081003
Terminal 42024,
14-20 AWG, Reel,
Phosphor Bronze,
Tin (Sn) Plating

MLX Crimp Terminal 2081004
42024, 14-20 AWG,
Bag Tin (Sn)

Claspcn Crimp 2081101
Terminal Socket, Tin
(Sn) Plated Brass
Contact, 16-24 AWG,
Reel

Claspcn Crimp 2081102
Terminal Socket, Tin
(Sn) Plated Brass
Contact, 16-24 AWG,
Bag

Claspcn Crimp 2081103
Terminal Socket, Tin
(Sn) Plated Brass
Contact, 24-30 AWG,
Reel

Claspcn Crimp 2081104
Terminal Socket, Tin
(Sn) Plated Brass
Contact, 24-30 AWG,
Bag

Disk Drive Power 2081201
Connection System,
Female Crimp
Terminal, Reel,
Phosphor Bronze,
AWG 14-20

.084" UNPLATED 2081211
TERMINAL 8980V01

.084" PC TAIL TERM2081212
- 999 8980R11

.084" PC TAIL TERM2081214
- 999 8980R13

2.096MM DIA 2081266
TERMINAL

2.096MM DIA 2081268
TERMINAL

2.13mm DIA PC 2081309
TAIL TERM PhBr

2.54SnLF

2.096MM DIA 2081363
TERMINAL PhBr

2.54SnLF

2.096MM DIA 2081365
TERMINAL PhBr

2.54SnLF

MLX Male Crimp 2082003
Terminal 42023,
14-20 AWG, Reel,
Brass, Tin (Sn)
Plating

MLX Crimp Terminal 2082004
42023, 14-20 AWG,
Bag Tin (Sn)

MLX Male Crimp 2082005
Terminal 42023,
14-20 AWG, Reel,
Phosphor Bronze,
Tin (Sn) Plating

MLX Crimp Terminal 2082006
42023, 14-20 AWG,
Bag Tin (Sn)

MLX Crimp Terminal 2082008
42023, 14-20 AWG,
Bag Selective Gold
(Au)

42023-2A0, Ter Male 2082011
2.13 Chn Unplate

Claspcn Crimp 2085101
Terminal Socket, Tin
(Sn) Plated Brass

Contact, 16-24 AWG,
Reel
2.36mm Diameter, 2091102
Standard .093" Pin
and Socket Double
Crimp Terminal,
Series 1189, Female,
with Tin (Sn) Plated
Brass Contact, 14-20
AWG, Reel
2.36mm Diameter, 2091104
Standard .093" Pin
and Socket Crimp
Terminal, Series
1189, Female, with
Tin (Sn) Plated Brass
Contact, 14-20 AWG,
Bag
2.36mm Diameter, 2091117
Standard .093" Pin
and Socket Crimp
Terminal, Series
1381, Female, with
Tin (Sn) Plated Brass
Contact, 18-22 AWG,
Reel
2.36mm Diameter, 2091119
Standard .093" Pin
and Socket Crimp
Terminal, Series
1381, Female, with
Tin (Sn) Plated Brass
Contact, 18-22 AWG,
Bag
Crimp Terminal 2091153
41483, 14-18 AWG,
Reel
2.36mm Diameter, 2091205
Standard .093" Pin
and Socket Crimp
Terminal, Series
4550, Female, with
Tin (Sn) Plated
Phosphor Bronze
Contact, 14-20 AWG,
Reel
2.36mm Diameter, 2091615
Standard .093"
Pin and Socket
Crimp Terminal,
Series 42477,
Female, with Tin
(Sn) Plated Contact,
High Current/Low
Engagement Force,
14-18 AWG, Reel
2.36mm Diameter 2091651
Socket, Without
Insulation Crimp for
16-20 AWG Wire
2.36mm Diameter, 2092101
Standard .093" Pin
and Socket Double
Crimp Terminal,
Series 1190, Male,

with Tin (Sn) Plated
Brass Contact, 14-20
AWG, Reel
2.36mm Diameter, 2092103
Standard .093" Pin
and Socket Crimp
Terminal, Series
1190, Male, with Tin
(Sn) Plated Brass
Contact, 14-20 AWG,
Bag
Vertical Solder Relief 2092105
(VSR) Direct-Solder
Crimp Terminal,
Series 4706, Male,
Tin (Sn) Plated Brass
Contact, 16-18 AWG,
11.20mm Terminal
Progression
2.36mm Diameter, 2092116
Standard .093" Pin
and Socket Crimp
Terminal, Series
1380, Male, with Tin
(Sn) Plated Brass
Contact, 18-22 AWG,
Reel
2.36mm Diameter, 2092118
Standard .093" Pin
and Socket Crimp
Terminal, Series
1380, Male, with Tin
(Sn) Plated Brass
Contact, 18-22 AWG,
Bag
2.36mm Diameter, 2092166
Standard .093" Pin
and Socket Crimp
Terminal, Series
4549, Male, with
Tin (Sn) Plated
Phosphor Bronze
Contact, 14-20 AWG,
Reel Packaged
2.36mm Diameter, 2092170
Standard .093" Pin
and Socket Crimp
Terminal, Series
1190, Male, with Tin
(Sn) Plated Brass
Contact, 14-18 AWG,
Large Insulation
Crimp, Reel
2.36mm Diameter, 2092611
Standard .093" Pin
and Socket Crimp
Terminal, Series
42478, Male, with Tin
(Sn) Plated Contact,
High Current/Low
Engagement Force,
14-18 AWG, Reel
2.36mm Diameter, 2095100
Standard .093" Pin
and Socket Double

Crimp Terminal,
Series 1189, Female,
with Gold (Au) Plated
Brass Contact, 14-20
AWG, Reel
2.36mm Diameter, [2095106](#)
Standard .093" Pin
and Socket Crimp
Terminal, Series
1189, Female, with
Gold (Au) Plated
Brass Contact, 14-20
AWG, Bag
2.36mm Diameter, [2095130](#)
Standard .093" Pin
and Socket Crimp
Terminal, Series
1381, Female, with
Selective Gold
(Au) Plated Brass
Contact, 18-22 AWG,
Reel
2.36mm Diameter, [2095142](#)
Standard .093" Pin
and Socket Crimp
Terminal, Series
1381, Female, with
Gold (Au) Plated
Brass Contact, 18-22
AWG, Bag
2.36mm Diameter, [2095143](#)
Standard .093" Pin
and Socket Crimp
Terminal, Series
1381, Female, with
Gold (Au) Plated
Brass Contact, 18-22
AWG, Reel
2.36mm Diameter, [2096100](#)
Standard .093" Pin
and Socket Double
Crimp Terminal,
Series 1190, Male,
with Gold (Au) Plated
Brass Contact, 14-20
AWG, Reel
2.36mm Diameter, [2096106](#)
Standard .093" Pin
and Socket Crimp
Terminal, Series
1190, Male, with
Gold (Au) Plated
Brass Contact, 14-20
AWG, Bag
2.36mm Diameter, [2096122](#)
Standard .093" Pin
and Socket Crimp
Terminal, Series
1380, Male, with
Gold (Au) Plated
Brass Contact, 18-22
AWG, Reel
2.36mm Diameter, [2096123](#)
Standard .093" Pin
and Socket Crimp

Terminal, Series
1380, Male, with
Gold (Au) Plated
Brass Contact, 18-22
AWG, Bag
2.36mm Diameter, 2098103
Standard .093" Pin
and Socket Crimp
Grounding Terminal,
Series 1973, Male,
with Tin (Sn) Plated
Brass Contact, 18-22
AWG, Reel
2.36mm Diameter, 2098108
Standard .093" Pin
and Socket Double
Crimp Grounding
Terminal, Series
1973, Male, with Tin
(Sn) Plated Brass
Contact, 14-18 AWG,
Reel
Mini-Fit Jr. 3044052
Receptacle Housing,
Single Row, 5
Circuits, UL 94V-2,
Natural
1.57mm Diameter 3061011
Standard .062"
Pin and Socket
Receptacle Housing,
1 Circuits, Natural
1.57mm Diameter 3061022
Standard .062"
Pin and Socket
Receptacle Housing,
2 Circuits, with Pre-
bent Mounting Ears,
Natural
1.57mm Diameter 3061023
Standard .062"
Pin and Socket
Receptacle Housing,
2 Circuits, without
Mounting Ears,
Natural
1.57mm Diameter 3061031
Standard .062"
Pin and Socket
Receptacle Housing,
3 Circuits, with
Standard Mounting
Ears
1.57mm Diameter 3061032
Standard .062"
Pin and Socket
Receptacle Housing,
3 Circuits, without
Mounting Ears,
Natural
1.57mm Diameter 3061038
Standard .062"
Pin and Socket
Receptacle Housing,
3 Circuits, with Pre-

bent Mounting Ears,
Natural
1.57mm Diameter 3061041
Standard .062"
Pin and Socket
Receptacle Housing,
4 Circuits, with
Standard Mounting
Ears
1.57mm Diameter 3061042
Standard .062"
Pin and Socket
Receptacle Housing,
4 Circuits, without
Mounting Ears,
Natural
1.57mm Diameter 3061044
Standard .062"
Pin and Socket
Receptacle Housing,
Dual Row, without
Mounting Ears, PA
Polyamide Nylon 6/6,
UL 94V-2, 4 Circuits,
Natural
1.57mm Diameter 3061062
Standard .062"
Pin and Socket
Receptacle Housing,
6 Circuits, without
Mounting Ears,
Natural
1.57mm Diameter 3061092
Standard .062"
Pin and Socket
Receptacle Housing,
9 Circuits, without
Mounting Ears,
Natural
1.57mm Diameter 3061121
Standard .062"
Pin and Socket
Receptacle Housing,
12 Circuits, with
Standard Mounting
Ears, Natural
1.57mm Diameter 3061122
Standard .062"
Pin and Socket
Receptacle Housing,
12 Circuits, without
Mounting Ears,
Natural
1.57mm Diameter 3062011
Standard .062" Pin
and Socket Plug
Housing, 1 Circuits,
Natural
1.57mm Diameter 3062023
Standard .062" Pin
and Socket Plug
Housing, 2 Circuits,
without Mounting
Ears, Natural

1.57mm Diameter Standard .062" Pin and Socket Plug Housing, 2 Circuits, with Pre- bent Mounting Ears, Natural	<u>3062024</u>
1.57mm Diameter Standard .062" Pin and Socket Plug Housing, 3 Circuits, with Standard Mounting Ears, Natural	<u>3062031</u>
1.57mm Diameter Standard .062" Pin and Socket Plug Housing, 3 Circuits, without Mounting Ears, Natural	<u>3062032</u>
1.57mm Diameter Standard .062" Pin and Socket Plug Housing, 3 Circuits, with Pre- bent Mounting Ears, Natural	<u>3062033</u>
1.57mm Diameter Standard .062" Pin and Socket Plug Housing, 4 Circuits, with Standard Mounting Ears	<u>3062041</u>
1.57mm Diameter Standard .062" Pin and Socket Plug Housing, 4 Circuits, without Mounting Ears, Natural	<u>3062042</u>
1.57mm Diameter Standard .062" Pin and Socket Plug Housing, Dual Row, without Mounting Ears, PA Polyamide Nylon 6/6, UL 94V-2, 4 Circuits, Natural	<u>3062044</u>
1.57mm Diameter Standard .062" Pin and Socket Plug Housing, 6 Circuits, without Mounting Ears, Natural	<u>3062061</u>
1.57mm Diameter Standard .062" Pin and Socket Plug Housing, 9 Circuits, without Mounting Ears, Natural	<u>3062092</u>
1.57mm Diameter Standard .062" Pin and Socket Plug Housing, 12 Circuits, with Pre-	<u>3062121</u>

bent Mounting Ears,
Natural
1.57mm Diameter 3062122
Standard .062" Pin
and Socket Plug
Housing, 12 Circuits,
without Mounting
Ears, Natural
1.57mm Diameter 3066023
Standard .062"
Pin and Socket
Receptacle Housing,
2 Circuits, without
Mounting Ears, Black
1.57mm Diameter 3066062
Standard .062"
Pin and Socket
Receptacle Housing,
6 Circuits, without
Mounting Ears, Black
1.57mm Diameter 3067023
Standard .062" Pin
and Socket Plug
Housing, Black, 2
Circuits, without
Mounting Ears, Black
1.57mm Diameter 3067044
Standard .062" Pin
and Socket Plug
Housing, Dual Row,
without Mounting
Ears, PA Polyamide
Nylon 6/6, UL 94V-2,
4 Circuits, Black
1.57mm Diameter 3067061
Standard .062" Pin
and Socket Plug
Housing, 6 Circuits,
without Mounting
Ears, Black
2.36mm Diameter 3091011
Standard .093"
Pin and Socket
Receptacle Housing,
1 Circuit, Friction
Lock, Natural
2.36mm Diameter 3091022
Standard .093"
Pin and Socket
Receptacle Housing,
2 Circuits, without
Mounting Ears, with
Ramps, Natural
2.36mm Diameter 3091027
Standard .093"
Pin and Socket
Receptacle Housing,
2 Circuits, with Pre-
bent Mounting Ears,
with Ramps, Natural
2.36mm Diameter 3091030
Standard Receptacle
Housing, 3 Circuit,
Natural

2.36mm Diameter 3091031
Standard .093"
Pin and Socket
Receptacle Housing,
3 Circuits, Single
Row, Natural

2.36mm Diameter 3091032
Standard .093"
Pin and Socket
Receptacle Housing,
3 Circuits, Single
Row, Natural

2.36mm Diameter 3091033
Standard .093"
Pin and Socket
Receptacle Housing,
3 Circuits, Single
Row, Free-Hanging,
without Passive Lock
Ramps, Natural

2.36mm Diameter 3091041
Standard .093"
Pin and Socket
Receptacle Housing,
4 Circuits, Single
Row, Natural

2.36mm Diameter 3091042
Standard .093"
Pin and Socket
Receptacle Housing,
4 Circuits, Single
Row, Natural

2.36mm Diameter 3091049
Standard .093"
Pin and Socket
Receptacle Housing,
4 Circuits, Dual Row,
without Mounting
Ears, Natural

2.36mm Diameter 3091061
Standard .093"
Pin and Socket
Receptacle Housing,
6 Circuits, Dual Row,
Natural

2.36mm Diameter 3091062
Standard .093"
Pin and Socket
Receptacle Housing,
6 Circuits, Dual Row,
Natural

2.36mm Diameter 3091063
Standard .093"
Pin and Socket
Receptacle Housing,
6 Circuits, Dual Row,
without Panel Mount
Ears, without Friction
Lock Ramp

2.36mm Diameter 3091064
Standard .093"
Pin and Socket
Receptacle Housing,
6 Circuits, Dual Row,
Natural

2.36mm Diameter 3091081
Standard .093"
Pin and Socket
Receptacle Housing,
3 Circuits, Single
Row, Natural

2.36mm Diameter 3091091
Standard .093"
Pin and Socket
Receptacle
Housings, 9 Circuits,
3 Rows, Natural

2.36mm Diameter 3091092
Standard .093"
Pin and Socket
Receptacle
Housings, 9 Circuits,
3 Rows, with Panel
Mount Ears, without
Passive Lock Ramp

2.36mm Diameter 3091093
Standard .093"
Pin and Socket
Receptacle
Housings, 9 Circuits,
3 Rows, without
Panel Mount Ears,
without Passive Lock
Ramp

2.36mm Diameter 3091094
Standard .093"
Pin and Socket
Receptacle
Housings, 9 Circuits,
3 Rows, Natural

2.36mm Diameter 3091121
Standard .093"
Pin and Socket
Receptacle Housing,
12 Circuits, 3 Rows,
Panel Mountable,
without Passive
Locking Ramps

2.36mm Diameter 3091125
Standard .093"
Pin and Socket
Receptacle Housing,
12 Circuits, 3 Rows,
Natural

2.36mm Diameter 3091126
Standard .093"
Pin and Socket
Receptacle Housing,
12 Circuits, 3 Rows,
Natural

2.36mm Diameter 3091151
Standard .093"
Pin and Socket
Receptacle Housing,
15 Circuits, 3 Rows,
with Pre-Bent
Mounting Ears,
without Lock Ramps

2.36mm Diameter 3091152
Standard .093"

Pin and Socket
Receptacle Housing,
15 Circuits, 3 Rows,
without Mounting
Ears, without Lock
Ramps
2.36mm Diameter 3091153
Standard .093"

Pin and Socket
Receptacle Housing,
15 Circuits, 3 Rows,
with Pre-bent
Mounting Ears, with
Lock Ramps
2.36mm Diameter 3091157
Standard .093"

Pin and Socket
Receptacle Housing,
15 Circuits, 3 Rows,
without Mounting
Ears, with Lock
Ramps
2.36mm Diameter 3091161
Standard .093"

Pin and Socket
Receptacle Housing
without Mounting
Ears, Positive Lock,
2 Circuits
2.36mm Diameter 3092011
Standard .093" Pin
and Socket Plug
Housing, 1 Circuit,
Friction Lock, Natural

2.36mm Diameter 3092021
Standard .093" Pin
and Socket Plug
Housing, 2 Circuits,
with Standard
Mounting Ears,
Natural

2.36mm Diameter 3092022
Standard .093" Pin
and Socket Plug
Housing, 2 Circuits,
without Mounting
Ears, Natural

2.36mm Diameter 3092031
Standard .093" Pin
and Socket Plug
Housing, 3 Circuits,
Single Row, Natural

2.36mm Diameter 3092032
Standard .093" Pin
and Socket Plug
Housing, 3 Circuits,
Single Row, Natural

2.36mm Diameter 3092041
Standard .093" Pin
and Socket Plug
Housing, 4 Circuits,
Single Row

2.36mm Diameter 3092042
Standard .093" Pin
and Socket Plug

Housing, 4 Circuits, Single Row 2.36mm Diameter Standard .093" Pin and Socket Plug	<u>3092049</u>
Housing, 4 Circuits, Dual Row, without Mounting Ears, Natural 2.36mm Diameter Standard .093" Pin and Socket Plug	<u>3092061</u>
Housing, 6 Circuits, Dual Row 2.36mm Diameter Standard .093" Pin and Socket Plug	<u>3092062</u>
Housing, 6 Circuits, Dual Row 2.36mm Diameter Standard .093" Pin and Socket Plug	<u>3092092</u>
Housings, 9 Circuits, 3 Rows 2.36mm Diameter Standard .093" Pin and Socket Plug	<u>3092121</u>
Housing, 12 Circuits, 3 Rows 2.36mm Diameter Standard .093" Pin and Socket Plug	<u>3092122</u>
Housing, 12 Circuits, 3 Rows 2.36mm Diameter Standard .093" Pin and Socket Plug	<u>3092151</u>
Housing, 15 Circuits, 3 Rows, without Mounting Ears, with Pull Tabs, without Lock Windows 2.36mm Diameter Standard .093" Pin and Socket Plug	<u>3092159</u>
Housing, 15 Circuits, 3 Rows, with Pre- Bent Mounting Ears, without Pull Tabs, with Lock Windows 2.36mm Diameter Standard .093" Pin and Socket Plug	<u>3092161</u>
Housing without Mounting Ears, Positive Lock, 2 Circuits 2.36mm Diameter Standard .093" Pin and Socket	<u>3096021</u>
Receptacle Housing, 2 Circuits, with Pre- bent Mounting Ears, with Ramps, Black	

2.36mm Diameter Standard .093" Pin and Socket Plug Housing, 2 Circuits, without Mounting Ears, Black	<u>3097022</u>
2.36mm Diameter Standard .093" Pin and Socket Plug Housing, 2 Circuits, without Mounting Ears, Red	<u>3097024</u>
2.36mm Diameter Standard .093" Pin and Socket Plug Housing, 3 Circuits, Single Row, Black	<u>3097032</u>
3.18mm Diameter, HCS125, Pin and Socket Receptacle Housing, 2 Circuits, Single Row, with and without Panel Mount Ears	<u>3121022</u>
3.18mm Diameter, HCS125, Pin and Socket Receptacle Housing, Single Row, 2 Circuits, Natural (Translucent)	<u>3121026</u>
3.18mm Diameter, HCS125, Pin and Socket Receptacle Housing, Single Row, without Panel Mount Ears, 3 Circuits, Natural, Nylon 94V-2	<u>3121036</u>
3.18mm Diameter, HCS125, Pin and Socket Receptacle Housing, Single Row, 4 Circuits, Natural (Translucent)	<u>3121046</u>
3.18mm Diameter, HCS125, Pin and Socket Plug Housing, 2 Circuits, Single Row, with and without Panel Mount Ears	<u>3122022</u>
3.18mm Diameter, HCS125, Pin and Socket Plug Housing, Single Row, with Panel Mount Ears, 2 Circuits, Natural (Translucent)	<u>3122025</u>
3.18mm Diameter, HCS125, Pin and Socket Plug Housing, Single Row, without Panel Mount Ears, 2	<u>3122026</u>

Circuits, Natural (Translucent) 3.18mm Diameter, HCS125, Pin and Socket Plug Housing, Single Row, with Panel Mount Ears, 3	<u>3122035</u>
Circuits, Natural, Nylon 94V-2 3.18mm Diameter, HCS125, Pin and Socket Plug Housing, Single Row, without Panel Mount Ears, 3	<u>3122036</u>
Circuits, Natural, Nylon 94V-2 3.18mm Diameter, HCS125, Pin and Socket Plug Housing, Single Row, with Panel Mount Ears, 4	<u>3122045</u>
Circuits, Natural (Translucent) 3.18mm Diameter, HCS125, Pin and Socket Plug Housing, Single Row, without Panel Mount Ears, 4	<u>3122046</u>
Circuits, Natural (Translucent) Flat Blade Crimp Terminal, Series 1508, Female, With Tin (Sn) Plated Brass Contact, 14-18 AWG (or 18 AWG Double Crimp), Reel Packaged	<u>5060117</u>
Flat Blade Crimp Terminal, Series 2176, Female, With Tin (Sn) Plated Brass Contact, With Detent, 14-22 AWG (or 18 AWG Double Crimp), Reel Packaged	<u>5060301</u>
Flat Blade Crimp Terminal, Series 2698, Female without Detent, With Tin (Sn) Plated Brass Contact, 14-22 AWG, Reel Packaged	<u>5060405</u>
Crimp Terminal 2482, 10-16 AWG, Reel	<u>5121004</u>
Crimp Terminal 2482, 10-16 AWG, Bag	<u>5121005</u>

Crimp Terminal 2482, 10-16 AWG, Reel	<u>5121006</u>
Crimp Terminal 2482, 10-16 AWG, Reel	<u>5121008</u>
Crimp Terminal 6482, 14-18 AWG, Reel	<u>5121104</u>
Flat Blade Appliance Motor Switch Crimp Housing, 10 Circuits	<u>6021103</u>
Flat Blade Appliance Water Valve Crimp Housing, 3 Circuit, Natural	<u>6022030</u>
Flat Blade Appliance Defrost Timer Crimp Housing, 4 Circuit, 4 Circuits	<u>6023042</u>
Flat Blade Appliance Motor Switch Crimp Housing, 10 Circuit, 10 Circuits	<u>6023103</u>
Flat Blade Appliance Dryer Motor Crimp Housing, 10 Circuit	<u>6023104</u>
KK Crimp Terminal, Series 1799, Female, with Tin (Sn) Plated Brass Contact, 18-24 AWG, Chain on Reel	<u>8300109</u>
KK 396 Crimp Terminal 8818, 18-22 AWG, Reel, Brass Tin (Sn)	<u>8500008</u>
KK 156 TERMINAL CRIMP 18-24 AWG TIN	<u>8500015</u>
KK 396 Crimp Terminal 8818, 18-22 AWG, Bag, Brass Tin (Sn)	<u>8500023</u>
KK 156 TERM CRP 18-20 AWG TRIFURCON TIN	<u>8500024</u>
KK 254 Cat Ear Crimp Terminal 4809, 22-30 AWG, Hot Tin Dip, 2.20mm Insulation Crimp, Reel	<u>8500030</u>
KK 254 Cat Ear Crimp Terminal 4809, 22-30 AWG, Hot Tin Dip, Reel	<u>8500031</u>
KK 254 Cat Ear Crimp Terminal 4809, 22-30 AWG, Hot Tin Dip, Bag	<u>8500032</u>
KK 396 Crimp Terminal 2478, 18-24 AWG, Reel, Brass Tin (Sn)	<u>8500105</u>

KK 396 Crimp 8500106
Terminal 2478, 18-24
AWG, Bag, Brass Tin
(Sn)

KK 396 Crimp 8500107
Terminal 2578, 22-26
AWG, Reel, Brass,
2.540µm Tin (Sn)

KK 396 Crimp 8500108
Terminal 2578, 22-26
AWG, Bag, Brass,
2.540µm Tin (Sn)

KK Crimp Terminal, 8500109
Series 2477,
Humpback, with Tin
(Sn) Plated Brass
Contact, 18-24 AWG,
Reel

KK Crimp Terminal, 8500110
Series 2477,
Humpback, with Tin
(Sn) Plated Brass
Contact, 18-24 AWG,
Loose

KK 396 Crimp 8500111
Terminal 2578, 22-26
AWG, Reel, Brass,
7.6µm Tin (Sn)

KK 156 TERMINAL 8500112
CRIMP 22-26 AWG
TIN

KK 254 Crimp 8500113
Terminal, 22-26
AWG, Hot Tin (Sn)
Dip Plating

KK 254 Crimp 8500114
Terminal, 22-30
AWG, Bag, Hot Tin
(Sn) Dip Plating

3.96mm Pitch KK 8500115
Crimp Terminal
2878, 18-20 AWG,
Reel, Brass, Tin
(Sn), Bifurcated

3.96mm Pitch KK 8500116
Crimp Terminal
2878, 18-20 AWG,
Bag, Brass, Tin (Sn),
Bifurcated

KK 396 Crimp 8500119
Terminal 2478, 18-24
AWG, Reel, Brass,
3.8µm Tin (Sn)

KK 396 Crimp 8500120
Terminal 2478, 18-24
AWG, Bag, Brass,
3.8µm Tin (Sn)

KK 396 Crimp 8500133
Terminal 2578,
22-26 AWG, Reel,
Phosphor Bronze,
2.540µm Tin (Sn)

KK 396 Crimp 8500134
Terminal 2578,
22-26 AWG, Bag,

Phosphor Bronze, 2.540µm Tin(Sn) KK 254 Crimp	<u>8500135</u>
Terminal 4809, 22-30 AWG, Hot Tin Dip, Reel	
KK 254 Crimp	<u>8500136</u>
Terminal 4809, 22-30 AWG, Tin, Bag	
KK 254 Crimp	<u>8500159</u>
Terminal, 22-30 AWG, Reel, Tin (Sn) Plating, Nickel (Ni) Under Plating	
KK 254 Crimp	<u>8500160</u>
Terminal, 22-30 AWG, Bag, Tin (Sn) Plating, Nickel (Ni) Under Plating	
KK Trifurcon Crimp	<u>8500183</u>
Terminal 7258, 22-26 AWG, Reel, Brass Tin (Sn)	
KK Trifurcon Crimp	<u>8500185</u>
Terminal 7258, 22-26 AWG, Bag, Brass Tin (Sn)	
KK Trifurcon Crimp	<u>8500187</u>
Terminal 6838, 18-20 AWG, Reel, Brass Tin (Sn)	
KK Trifurcon Crimp	<u>8500189</u>
Terminal 6838, 18-20 AWG, Bag, Brass Tin (Sn)	
KK 156 TERM	<u>8500251</u>
CRP 18-20 AWG TRIFURCON TIN	
KK 396 Crimp	<u>8500281</u>
Terminal 2478, 18-24 AWG, Reel, Phosphor Bronze, 3.87µm Tin (Sn)	
KK 156 TERM	<u>8500283</u>
CRP 22-26 AWG TRIFURCON TIN	
KK 100 Crp Term	<u>8510101</u>
Std 22-30 Awg Unplt	
KK 254 Crimp	<u>8510108</u>
Terminal, 22-30 AWG, Reel, Tin (Sn), Nickel (Ni) Under Plating	
KK 156 TERMINAL	<u>8510109</u>
CRIMP 1820 AWG	
KK 396 Crimp	<u>8520071</u>
Terminal 2478, 18-24 AWG, Reel, Phosphor Bronze, Tin (Sn)	
KK 396 Crimp	<u>8520072</u>
Terminal 2478, 18-24 AWG, Bag, Phosphor Bronze, Tin (Sn)	

KK 254 Crimp Terminal 6459, 22-30 AWG, Reel, Phosphor Bronze Tin (Sn)	<u>8520101</u>
KK Trifurcon Crimp Terminal 6838, 18-20 AWG, Reel, Phosphor Bronze Tin(Sn)	<u>8520112</u>
KK Trifurcon Crimp Terminal 6838, 18-20 AWG, Bag, Phosphor Bronze Tin (Sn)	<u>8520113</u>
KK .100 CRIMP TERMINAL 100MI MATTE TIN	<u>8520118</u>
KK 254 Crimp Terminal 6459, 22-30 AWG, Bag, Phosphor Bronze Tin (Sn)	<u>8520123</u>
KK Trifurcon Crimp Terminal 7258, 22-26 AWG, Reel, Phosphor Bronze Tin(Sn)	<u>8520124</u>
KK Trifurcon Crimp Terminal 7258, 22-26 AWG, Bag, Phosphor Bronze Tin (Sn)	<u>8520125</u>
3.96mm Pitch KK Crimp Terminal 2878, 18-20 AWG, Reel, Phosphor Bronze, Tin (Sn), Bifurcated	<u>8520126</u>
3.96mm Pitch KK Crimp Terminal 2878, 18-20 AWG, Bag, Phosphor Bronze, Tin (Sn), Bifurcated	<u>8520127</u>
KK 396 Crimp Terminal 8818, 18-22 AWG, Reel, Phosphor Bronze Tin (Sn)	<u>8520131</u>
KK 396 Crimp Terminal 8818, 18-22 AWG, Bag, Phosphor Bronze Tin (Sn)	<u>8520132</u>
KK 396 Crimp Terminal 2478, 18-24 AWG, Reel, Phosphor Bronze, 5.0µm Tin (Sn)	<u>8520811</u>
KK 396 Crimp Terminal 2478, 18-24 AWG, Bag, Phosphor Bronze, 5.0µm Tin (Sn)	<u>8520812</u>

KK 156 TERMINAL 8530811
CRIMP 18-24 AWG
KK CRIMP TERM 8530812
UNPLT LSE
PB2478999L
KK 156 TERMINAL 8530814
CRIMP 1820 AWG
KK 156 TERM 8531101
CRP 18-20 AWG
TRIFURCON
KK 254 Crimp 8550101
Terminal, 22-30
AWG, Reel,
Selective Gold (Au),
Nickel (Ni) Under
Plating
KK 254 Crimp 8550102
Terminal, 22-30
AWG, Bag, Selective
Gold (Au), Nickel (Ni)
Under Plating
KK 396 Crimp 8550103
Terminal 2478, 18-24
AWG, Reel, Brass,
0.38 μ m Selective
Gold (Au)
KK 396 Crimp 8550104
Terminal 2478, 18-24
AWG, Bag, Brass,
0.38 μ m Selective
Gold (Au)
KK 396 Crimp 8550105
Terminal 2578, 22-26
AWG, Reel, Brass,
0.38 μ m Selective
Gold (Au)
KK 396 Crimp 8550106
Terminal 2578, 22-26
AWG, Bag, Brass,
0.38 μ m Selective
Gold(Au)
KK 254 Crimp 8550110
Terminal 4809, 22-30
AWG, Selective Gold
(Au), Reel
KK 254 Crimp 8550111
Terminal 4809, 22-30
AWG, Selective Gold
(Au), Bag
KK 254 Cat Ear 8550112
Crimp Terminal
4809, 22-30 AWG,
Selective Gold, Reel
KK 396 Crimp 8550123
Terminal 2578, 22-26
AWG, Reel, Brass,
0.76 μ m Select Gold
(Au) over Gold Flash
KK High Pressure 8550124
Crimp Terminal,
Female, 24-30
AWG, Brass, 0.38 μ m
Selective Gold (Au)
Plating, Reel

KK High Pressure 8550129
Crimp Terminal,
Female, 24-30
AWG, Brass, 0.38 μ m
Selective Gold (Au)
Plating, Bag
KK 254 Crimp 8550130
Terminal, 22-30
AWG, Reel,
Selective Gold (Au),
Nickel (Ni) Under
Plating
KK 254 Crimp 8550131
Terminal, 22-30
AWG, Bag, Selective
Gold (Au), Nickel (Ni)
Under Plating
KK 396 Crimp 8550133
Terminal 2478, 18-24
AWG, Reel, Brass,
0.76 μ m Gold (Au)
KK 396 Crimp 8550134
Terminal 2478, 18-24
AWG, Bag, Brass,
0.76 μ m Gold (Au)
KK 396 Crimp 8550137
Terminal 2578, 22-26
AWG, Left Payoff
Reel, Brass, 0.76 μ m
Select Gold (Au)
over Gold Flash
KK 156 TERMINAL 8550138
CRIMP 1820 AWG
GOLD
KK 396 Crimp 8560105
Terminal 2478, 18-24
AWG, Reel, Brass,
0.51 μ m Selective
Gold (Au)
KK 396 Crimp 8560106
Terminal 2478, 18-24
AWG, Bag, Brass,
0.51 μ m Selective
Gold (Au)
KK 396 Crimp 8560107
Terminal 2578, 22-26
AWG, Reel, Brass,
0.51 μ m Select Gold
(Au) over Gold Flash
KK 396 Crimp 8560108
Terminal 2578, 22-26
AWG, Bag, Brass,
0.51 μ m Select Gold
(Au) over Gold Flash
KK 254 Crimp 8560109
Terminal, 22-30
AWG, Reel, Gold
(Au), Nickel (Ni)
Under Plating
KK 254 Crimp 8560110
Terminal, 22-30
AWG, Bag, Gold
(Au), Nickel (Ni)
Under Plating

KK Crimp Terminal, 8560113
Series 2477,
Humpback, with
Overall Gold (Au)
Plated Brass
Contact, 18-24 AWG,
Reel

KK Crimp Terminal, 8560114
Series 2477,
Humpback, with
Overall Gold (Au)
Plated Brass
Contact, 18-24 AWG,
Loose

KK 254 Crimp 8560115
Terminal 4809, 22-30
AWG, Selective Gold
(Au), Bag

KK 254 Crimp 8560120
Terminal 4809, 22-30
AWG, Selective Gold
(Au), Reel

KK Trifurcon Crimp 8560123
Terminal 7258,
22-26 AWG, Reel,
Phosphor Bronze
Gold (Au)

KK Trifurcon Crimp 8560124
Terminal 7258,
22-26 AWG, Bag,
Phosphor Bronze
Gold(Au)

KK 156 TERMINAL 8580103
CRIMP 18-24 AWG
GOLD

KK 156 TERMINAL 8580104
CRIMP 18-24 AWG
GOLD

KK 156 TERM 8580105
CRP 18-20 AWG
TRIFURCON GOLD

KK 156 TERM 8580106
CRP 18-20 AWG
TRIFURCON GOLD

KK Trifurcon Crimp 8580110
Terminal 6438,
18-20 AWG, Reel,
Phosphor Bronze
Selective Gold (Au)

KK Trifurcon Crimp 8580111
Terminal 6438,
18-20 AWG, Bag,
Phosphor Bronze
Selective Gold (Au)

KK 396 Crimp 8580114
Terminal 2478,
18-24 AWG, Reel,
Phosphor Bronze,
0.76µm Gold (Au)

KK 396 Crimp 8580115
Terminal 2478,
18-24 AWG, Bag,
Phosphor Bronze,
0.76µm Gold (Au)

KK 156 TERM	<u>8580118</u>
CRP 18-20 AWG	
TRIFURCON GOLD	
KK 396 Crimp	<u>8580121</u>
Terminal 2478,	
18-24 AWG, Reel,	
Phosphor Bronze,	
0.51µm Selective	
Gold (Au)	
KK 396 Crimp	<u>8580122</u>
Terminal 2478,	
18-24 AWG, Bag,	
Phosphor Bronze,	
0.51µm Selective	
Gold (Au)	
KK 396 Crimp	<u>8580125</u>
Terminal 2578,	
22-26 AWG, Reel,	
Phosphor Bronze,	
0.51µm Selective	
Gold (Au)	
KK 396 Crimp	<u>8580126</u>
Terminal 2578,	
22-26 AWG, Bag,	
Phosphor Bronze,	
0.51µm Selective	
Gold (Au)	
3.96mm Pitch KK	<u>8580127</u>
Crimp Terminal	
2878, 18-20 AWG,	
Reel, Phosphor	
Bronze, 0.51µm	
Selective Gold (Au),	
Bifurcated	
3.96mm Pitch KK	<u>8580128</u>
Crimp Terminal	
2878, 18-20 AWG,	
Bag, Phosphor	
Bronze, 0.51µm	
Selective Gold (Au),	
Bifurcated	
KK 396 Crimp	<u>8580135</u>
Terminal 8818,	
18-22 AWG, Reel,	
Phosphor Bronze	
Selective Gold (Au)	
KK 396 Crimp	<u>8580136</u>
Terminal 8818,	
18-22 AWG, Bag,	
Phosphor Bronze	
Selective Gold (Au)	
KK Trifurcon Crimp	<u>8580187</u>
Terminal 6438,	
18-20 AWG, Reel,	
Phosphor Bronze	
Gold (Au)	
KK Trifurcon Crimp	<u>8580189</u>
Terminal 6438,	
18-20 AWG, Bag,	
Phosphor Bronze	
Gold(Au)	
KK 396 Crimp	<u>8600003</u>
Terminal 2578,	
22-26 AWG, Reel,	

Phosphor Bronze, 3.810µm Tin (Sn) KK 396 Crimp	<u>8600004</u>
Terminal 2578, 22-26 AWG, Bag, Phosphor Bronze, 3.810µm Tin (Sn) KK 254 Crimp	<u>8650105</u>
Terminal 8088, 22-30 AWG, Gold/Nickel, Reel KK 396 Crimp	<u>8650110</u>
Terminal 2578, 22-26 AWG, Reel, Phosphor Bronze, 0.76µm Select Gold (Au) over Gold Flash KK 396 Crimp	<u>8650114</u>
Terminal 2478, 18-24 AWG, Reel, Phosphor Bronze, 0.38µm Selective Gold (Au) KK 396 Crimp	<u>8650115</u>
Terminal 2478, 18-24 AWG, Bag, Phosphor Bronze, 0.38µm Selective Gold (Au) KK 396 Crimp	<u>8650116</u>
Terminal 2578, 22-26 AWG, Reel, Phosphor Bronze, 0.38µm Selective Gold (Au) KK 396 Crimp	<u>8650117</u>
Terminal 2578, 22-26 AWG, Bag, Phosphor Bronze, 0.38µm Selective Gold (Au) 3.96mm Pitch KK Crimp Terminal	<u>8650118</u>
2878, 18-20 AWG, Reel, Phosphor Bronze, 0.38µm Selective Gold (Au), Bifurcated 3.96mm Pitch KK Crimp Terminal	<u>8650119</u>
2878, 18-20 AWG, Bag, Phosphor Bronze, 0.38µm Selective Gold (Au), Bifurcated KK Trifurcon Crimp	<u>8650121</u>
Terminal 7258, 22-26 AWG, Reel, Phosphor Bronze Selective Gold (Au) KK Trifurcon Crimp	<u>8650122</u>
Terminal 7258, 22-26 AWG, Bag, Phosphor Bronze Selective Gold (Au)	

KK 396 Crimp Terminal 8818, 18-22 AWG, Reel, Phosphor Bronze Selective Gold (Au)	<u>8650128</u>
KK 396 Crimp Terminal 8818, 18-22 AWG, Bag, Phosphor Bronze Selective Gold (Au)	<u>8650129</u>
KK 100 Crp Term Std 22-30 Awg SGold	<u>8650801</u>
KK 254 Cat Ear Crimp Terminal 41572, Reel Tin (Sn)	<u>8650804</u>
KK 254 Cat Ear Crimp Terminal 41572, Bag Tin (Sn)	<u>8650805</u>
KK 100 Crp Term Std 22-30 Awg SGold	<u>8650811</u>
KK 100 Crp Term Std 22-30 Awg SGold	<u>8650812</u>
KK 254 Crimp Terminal 6459, 22-30 AWG, Reel, Phosphor Bronze Gold (Au)	<u>8650813</u>
KK 254 Crimp Terminal 6459, 22-30 AWG, Bag, Phosphor Bronze Gold (Au)	<u>8650814</u>
KK 254 Crimp Terminal 6459, 22-30 AWG, Reel, Phosphor Bronze Selective Gold (Au)	<u>8650815</u>
KK 254 Crimp Terminal 6459, 22-30 AWG, Bag, Phosphor Bronze Selective Gold (Au)	<u>8650816</u>
KK 100 Crp Term Std 22-30 Awg SGold	<u>8650817</u>
4.80mm Pitch Crimp Terminal, Female, Reel	<u>8700001</u>
4.80mm Pitch Crimp Terminal, Male, Reel	<u>8700002</u>
3.96 and 5.08mm Pitch KK Cat Ear Crimp Terminal, Female, 18-24 AWG, Reel	<u>8700012</u>
KK Cat Ear Crimp Terminal 5159, 22-28 AWG, Reel, Phosphor Bronze, Tin (Sn) Plating	<u>8700048</u>
KK Cat Ear Crimp Terminal 5159,	<u>8700049</u>

22-28 AWG, Bag,
 Phosphor Bronze,
 Tin (Sn) Plating
 SPOX Crimp 8700056
 Terminal 5103, 22-28
 AWG, Reel, Brass
 (CuZn), Chain Type
 SPOX Crimp 8700058
 Terminal 5103,
 22-28 AWG, Reel,
 Phosphor Bronze
 (CuSn), Chain Type
 KK Cat Ear Crimp 8700064
 Terminal 5159, 22-28
 AWG, Reel, Brass,
 Tin (Sn) over Copper
 Plating
 KK Cat Ear Crimp 8700069
 Terminal 5159, 22-28
 AWG, Bag, Brass,
 Tin (Sn) over Copper
 Plating
 2.50mm Pitch 8700102
 Mini-Latch Crimp
 Terminal, Male,
 Brass, Reel
 2.50mm Pitch 8700103
 Mini-Latch Crimp
 Terminal, Male,
 Brass, Bag
 Board-in Crimp 8700106
 Terminal , Series
 5298, Male, with Tin
 Insulation Diameter,
 Reel Packaged
 SPOX Crimp 8701030
 Terminal, 18-24
 AWG, Brass, Bag
 SPOX Crimp 8701031
 Terminal, 18-24
 AWG, Brass, Reel
 2.50mm Pitch, Mini- 8701039
 SPOX Female Crimp
 Terminal, 22-28
 AWG, Reel
 2.50mm Pitch 8701040
 Mini-SPOX Crimp
 Terminal, 22-28
 AWG, Bag
 2.5 Low Profile 8701047
 Crimp Rec Chain W/
 Plt
 3.96mm Pitch KK 9011036
 Crimp Housing, Edge
 Card Connector,
 Single-Sided,
 Polarized, Positive
 Lock, with Probe
 Hole, 3 Circuits
 .156 IDT ASSEMBLY 9072031
 724103L
 KK 396 PC Board 9481024
 Connector, Right
 Angle, Polyester

Connector, 5.00µm
Tin (Sn), 2 Circuits
KK 396 PC Board 9481034
Connector, Right
Angle, Polyester
Connector, 5.00µm
Tin (Sn), 3 Circuits
KK 396 PC Board 9481044
Connector, Right
Angle, Polyester
Connector, 5.00µm
Tin (Sn), 4 Circuits
KK 396 PC Board 9481054
Connector, Right
Angle, Polyester
Connector, 5.00µm
Tin (Sn), 5 Circuits
KK 396 PC Board 9481064
Connector, Right
Angle, Polyester
Connector, 5.00µm
Tin (Sn), 6 Circuits
KK 396 PC Board 9481074
Connector, Right
Angle, Polyester
Connector, 5.00µm
Tin (Sn), 7 Circuits
KK 396 PC Board 9481084
Connector, Right
Angle, Polyester
Connector, 5.00µm
Tin (Sn), 8 Circuits
KK 396 PC Board 9481094
Connector, Right
Angle, Polyester
Connector, 5.00µm
Tin (Sn), 9 Circuits
KK 396 PC Board 9481104
Connector, Right
Angle, Polyester
Connector, 5.00µm
Tin (Sn), 10 Circuits
KK 396 PC Board 9481105
Connector, Top
Entry, Polyester
Connector, Gold (Au)
Selective, 10 Circuits
KK 396 PC Board 9481114
Connector, Right
Angle, Polyester
Connector, 5.00µm
Tin (Sn), 11 Circuits
KK 396 PC Board 9481124
Connector, Right
Angle, Polyester
Connector, 5.00µm
Tin (Sn), 12 Circuits
KK 396 PC Board 9481134
Connector, Right
Angle, Polyester
Connector, 5.00µm
Tin (Sn), 13 Circuits
KK 396 PC Board 9481144
Connector, Right
Angle, Polyester

Connector, 5.00µm
Tin (Sn), 14 Circuits
KK 396 PC Board 9481154
Connector, Right
Angle, Polyester
Connector, 5.00µm
Tin (Sn), 15 Circuits
KK 396 PC Board 9483024
Connector, Bottom
Entry, Polyester
Connector, Gold (Au)
Selective, 2 Circuits
KK 396 PC Board 9483025
Connector, Right
Angle, Polyester
Connector, Gold (Au)
Selective, 2 Circuits
KK 396 PC Board 9483026
Connector, Top
Entry, Polyester
Connector, Gold (Au)
Selective, 2 Circuits
KK 396 PC Board 9483034
Connector, Bottom
Entry, Polyester
Connector, Gold (Au)
Selective, 3 Circuits
KK 396 PC Board 9483035
Connector, Right
Angle, Polyester
Connector, Gold (Au)
Selective, 3 Circuits
KK 396 PC Board 9483036
Connector, Top
Entry, Polyester
Connector, Gold (Au)
Selective, 3 Circuits
KK 396 PC Board 9483044
Connector, Bottom
Entry, Polyester
Connector, Gold (Au)
Selective, 4 Circuits
KK 396 PC Board 9483045
Connector, Right-
Angle, Polyester
Connector, Gold (Au)
Selective, 4 Circuits
KK 396 PC Board 9483046
Connector, Top
Entry, Polyester
Connector, Gold (Au)
Selective, 4 Circuits
KK 396 PC Board 9483054
Connector, Bottom
Entry, Polyester
Connector, Gold (Au)
Selective, 5 Circuits
KK 396 PC Board 9483055
Connector, Right-
Angle, Polyester
Connector, Gold (Au)
Selective, 5 Circuits
KK 396 PC Board 9483056
Connector, Top
Entry, Polyester

Connector, Gold (Au)
Selective, 5 Circuits
KK 396 PC Board 9483064
Connector, Bottom
Entry, Polyester
Connector, Gold (Au)
Selective, 6 Circuits
KK 396 PC Board 9483065
Connector, Right-
Angle, Polyester
Connector, Gold (Au)
Selective, 6 Circuits
KK 396 PC Board 9483066
Connector, Top
Entry, Polyester
Connector, Gold (Au)
Selective, 6 Circuits
KK 396 PC Board 9483074
Connector, Bottom
Entry, Polyester
Connector, Gold (Au)
Selective, 7 Circuits
KK 396 PC Board 9483075
Connector, Right-
Angle, Polyester
Connector, Gold (Au)
Selective, 7 Circuits
KK 396 PC Board 9483076
Connector, Top
Entry, Polyester
Connector, Gold (Au)
Selective, 7 Circuits
KK 396 PC Board 9483084
Connector, Bottom
Entry, Polyester
Connector, Gold (Au)
Selective, 8 Circuits
KK 396 PC Board 9483085
Connector, Right-
Angle, Polyester
Connector, Gold (Au)
Selective, 8 Circuits
KK 396 PC Board 9483086
Connector, Top
Entry, Polyester
Connector, Gold (Au)
Selective, 8 Circuits
KK 396 PC Board 9483094
Connector, Bottom
Entry, Polyester
Connector, Gold (Au)
Selective, 9 Circuits
KK 396 PC Board 9483095
Connector, Right-
Angle, Polyester
Connector, Gold (Au)
Selective, 9 Circuits
KK 396 PC Board 9483096
Connector, Top
Entry, Polyester
Connector, Gold (Au)
Selective, 9 Circuits
KK 396 PC Board 9483104
Connector, Bottom
Entry, Polyester

Connector, Gold (Au)
Selective, 10 Circuits
KK 396 PC Board 9483105
Connector, Right-
Angle, Polyester
Connector, Gold (Au)
Selective, 10 Circuits
KK 396 PC Board 9483106
Connector, Top
Entry, Polyester
Connector, Gold (Au)
Selective, 10 Circuits
KK 396 PC Board 9483114
Connector, Bottom
Entry, Polyester
Connector, Gold (Au)
Selective, 11 Circuits
KK 396 PC Board 9483115
Connector, Right-
Angle, Polyester
Connector, Gold (Au)
Selective, 11 Circuits
KK 396 PC Board 9483116
Connector, Top
Entry, Polyester
Connector, Gold (Au)
Selective, 11 Circuits
KK 396 PC Board 9483124
Connector, Bottom
Entry, Polyester
Connector, Gold (Au)
Selective, 12 Circuits
KK 396 PC Board 9483125
Connector, Right-
Angle, Polyester
Connector, Gold (Au)
Selective, 12 Circuits
KK 396 PC Board 9483126
Connector, Top
Entry, Polyester
Connector, Gold (Au)
Selective, 12 Circuits
KK 396 PC Board 9483134
Connector, Bottom
Entry, Polyester
Connector, Gold (Au)
Selective, 13 Circuits
KK 396 PC Board 9483135
Connector, Right-
Angle, Polyester
Connector, Gold (Au)
Selective, 13 Circuits
KK 396 PC Board 9483136
Connector, Top
Entry, Polyester
Connector, Gold (Au)
Selective, 13 Circuits
KK 396 PC Board 9483144
Connector, Bottom
Entry, Polyester
Connector, Gold (Au)
Selective, 14 Circuits
KK 396 PC Board 9483145
Connector, Right-
Angle, Polyester

Connector, Gold (Au)
Selective, 14 Circuits
KK 396 PC Board 9483146
Connector, Top
Entry, Polyester
Connector, Gold (Au)
Selective, 14 Circuits
KK 396 PC Board 9483154
Connector, Bottom
Entry, Polyester
Connector, Gold (Au)
Selective, 15 Circuits
KK 396 PC Board 9483155
Connector, Right-
Angle, Polyester
Connector, Gold (Au)
Selective, 15 Circuits
KK 396 PC Board 9483156
Connector, Top
Entry, Polyester
Connector, Gold (Au)
Selective, 15 Circuits
KK 396 PC Board 9484028
Connector, Top
Entry, Polyester
Connector, 5.00µm
Tin (Sn), 2 Circuits
KK 396 PC Board 9484029
Connector, Bottom
Entry, Polyester
Connector, 5.00µm
Tin (Sn), 2 Circuits
KK 396 PC Board 9484038
Connector, Top
Entry, Polyester
Connector, 5.00µm
Tin (Sn), 3 Circuits
KK 396 PC Board 9484039
Connector, Bottom
Entry, Polyester
Connector, 5.00µm
Tin (Sn), 3 Circuits
KK 396 PC Board 9484048
Connector, Top
Entry, Polyester
Connector, 5.00µm
Tin (Sn), 4 Circuits
KK 396 PC Board 9484049
Connector, Bottom
Entry, Polyester
Connector, 5.00µm
Tin (Sn), 4 Circuits
KK 396 PC Board 9484058
Connector, Top
Entry, Polyester
Connector, 5.00µm
Tin (Sn), 5 Circuits
KK 396 PC Board 9484059
Connector, Bottom
Entry, Polyester
Connector, 5.00µm
Tin (Sn), 5 Circuits
KK 396 PC Board 9484068
Connector, Top
Entry, Polyester

Connector, 5.00µm
Tin (Sn), 6 Circuits
KK 396 PC Board 9484069
Connector, Bottom
Entry, Polyester
Connector, 5.00µm
Tin (Sn), 6 Circuits
KK 396 PC Board 9484078
Connector, Top
Entry, Polyester
Connector, 5.00µm
Tin (Sn), 7 Circuits
KK 396 PC Board 9484079
Connector, Bottom
Entry, Polyester
Connector, 5.00µm
Tin (Sn), 7 Circuits
KK 396 PC Board 9484088
Connector, Top
Entry, Polyester
Connector, 5.00µm
Tin (Sn), 8 Circuits
KK 396 PC Board 9484089
Connector, Bottom
Entry, Polyester
Connector, 5.00µm
Tin (Sn), 8 Circuits
KK 396 PC Board 9484098
Connector, Top
Entry, Polyester
Connector, 5.00µm
Tin (Sn), 9 Circuits
KK 396 PC Board 9484099
Connector, Bottom
Entry, Polyester
Connector, 5.00µm
Tin (Sn), 9 Circuits
KK 396 PC Board 9484108
Connector, Top
Entry, Polyester
Connector, 5.00µm
Tin (Sn), 10 Circuits
KK 396 PC Board 9484109
Connector, Bottom
Entry, Polyester
Connector, 5.00µm
Tin (Sn), 10 Circuits
KK 396 PC Board 9484118
Connector, Top
Entry, Polyester
Connector, 5.00µm
Tin (Sn), 11 Circuits
KK 396 PC Board 9484119
Connector, Bottom
Entry, Polyester
Connector, 5.00µm
Tin (Sn), 11 Circuits
KK 396 PC Board 9484128
Connector, Top
Entry, Polyester
Connector, 5.00µm
Tin (Sn), 12 Circuits
KK 396 PC Board 9484129
Connector, Bottom
Entry, Polyester

Connector, 5.00µm
Tin (Sn), 12 Circuits
KK 396 PC Board 9484138
Connector, Top
Entry, Polyester
Connector, 5.00µm
Tin (Sn), 13 Circuits
KK 396 PC Board 9484139
Connector, Bottom
Entry, Polyester
Connector, 5.00µm
Tin (Sn), 13 Circuits
KK 396 PC Board 9484148
Connector, Top
Entry, Polyester
Connector, 5.00µm
Tin (Sn), 14 Circuits
KK 396 PC Board 9484149
Connector, Bottom
Entry, Polyester
Connector, 5.00µm
Tin (Sn), 14 Circuits
KK 396 PC Board 9484158
Connector, Top
Entry, Polyester
Connector, 5.00µm
Tin (Sn), 15 Circuits
KK 396 PC Board 9484159
Connector, Bottom
Entry, Polyester
Connector, 5.00µm
Tin (Sn), 15 Circuits
KK 156 PC Board 9485088
Connector, Top
Entry, Polyester
Connector, Tin (Sn),
8 Circuits
3.96mm Pitch SPOX 9501021
Crimp Housing,
Female, with Friction
Ramp, 2 Circuits,
Natural
3.96mm Pitch SPOX 9501031
Crimp Housing,
Female, with Friction
Ramp, 3 Circuits,
Natural
3.96mm Pitch SPOX 9501041
Crimp Housing,
Female, with Friction
Ramp, 4 Circuits,
Natural
3.96mm Pitch SPOX 9501051
Crimp Housing,
Female, with Friction
Ramp, 5 Circuits,
Natural
3.96mm Pitch SPOX 9501061
Crimp Housing,
Female, with Friction
Ramp, 6 Circuits,
Natural
3.96mm Pitch SPOX 9501071
Crimp Housing,
Female, with Friction

Ramp, 7 Circuits,
Natural
3.96mm Pitch SPOX [9501081](#)
Crimp Housing,
Female, with Friction
Ramp, 8 Circuits,
Natural
3.96mm Pitch SPOX [9501091](#)
Crimp Housing,
Female, with Friction
Ramp, 9 Circuits,
Natural
3.96mm Pitch SPOX [9501101](#)
Crimp Housing,
Female, with Friction
Ramp, 10 Circuits,
Natural
3.96mm Pitch SPOX [9501111](#)
Crimp Housing,
Female, with Friction
Ramp, 11 Circuits,
Natural
3.96mm Pitch SPOX [9501121](#)
Crimp Housing,
Female, with Friction
Ramp, 12 Circuits,
Natural
KK 3.96mm Crimp [9503021](#)
Terminal Housing,
Friction Ramp, 2
Circuits, Natural
KK 3.96mm Crimp [9503031](#)
Terminal Housing,
Friction Ramp, 3
Circuits, Natural
KK 3.96mm Crimp [9503041](#)
Terminal Housing,
Friction Ramp, 4
Circuits, Natural
KK 3.96mm Crimp [9503051](#)
Terminal Housing,
Friction Ramp, 5
Circuits, Natural
KK 3.96mm Crimp [9503061](#)
Terminal Housing,
Friction Ramp, 6
Circuits, Natural
KK 3.96mm Crimp [9503071](#)
Terminal Housing,
Friction Ramp, 7
Circuits, Natural
KK 3.96mm Crimp [9503081](#)
Terminal Housing,
Friction Ramp, 8
Circuits, Natural
KK 3.96mm Crimp [9503091](#)
Terminal Housing,
Friction Ramp, 9
Circuits, Natural
KK 3.96mm Crimp [9503101](#)
Terminal Housing,
Friction Ramp, 10
Circuits, Natural
KK 3.96mm Crimp [9503111](#)
Terminal Housing,

Friction Ramp, 11 Circuits, Natural KK 3.96mm Crimp Terminal Housing,	<u>9503121</u>
Friction Ramp, 12 Circuits, Natural KK 3.96mm Crimp Terminal Housing,	<u>9503131</u>
Friction Ramp, 13 Circuits, Natural KK 3.96mm Crimp Terminal Housing,	<u>9503141</u>
Friction Ramp, 14 Circuits, Natural KK 3.96mm Crimp Terminal Housing,	<u>9503151</u>
Friction Ramp, 15 Circuits, Natural KK 3.96mm Crimp Terminal Housing,	<u>9503161</u>
Friction Ramp, 16 Circuits, Natural KK 3.96mm Crimp Terminal Housing,	<u>9503171</u>
Friction Ramp, 17 Circuits, Natural KK 3.96mm Crimp Terminal Housing,	<u>9503181</u>
Friction Ramp, 18 Circuits, Natural KK 3.96mm Crimp Terminal Housing,	<u>9503191</u>
Friction Ramp, 19 Circuits, Natural KK 3.96mm Crimp Terminal Housing,	<u>9503201</u>
Friction Ramp, 20 Circuits, Natural KK 3.96mm Crimp Terminal Housing,	<u>9503211</u>
Friction Ramp, 21 Circuits, Natural KK 3.96mm Crimp Terminal Housing,	<u>9503221</u>
Friction Ramp, 22 Circuits, Natural KK 3.96mm Crimp Terminal Housing,	<u>9503231</u>
Friction Ramp, 23 Circuits, Natural KK 3.96mm Crimp Terminal Housing,	<u>9503241</u>
Friction Ramp, 24 Circuits, Natural KK 3.96mm Crimp Terminal Housing, 2	<u>9507021</u>
Circuits, Natural KK 3.96mm Crimp Terminal Housing, 3	<u>9507031</u>
Circuits, Natural KK 3.96mm Crimp Terminal Housing, 4	<u>9507041</u>
Circuits, Natural	

KK 3.96mm Crimp [9507051](#)
Terminal Housing, 5
Circuits, Natural

KK 3.96mm Crimp [9507061](#)
Terminal Housing, 6
Circuits, Natural

KK 3.96mm Crimp [9507071](#)
Terminal Housing, 7
Circuits, Natural

KK 3.96mm Crimp [9507081](#)
Terminal Housing, 8
Circuits, Natural

KK 3.96mm Crimp [9507091](#)
Terminal Housing, 9
Circuits, Natural

KK 3.96mm Crimp [9507101](#)
Terminal Housing, 10
Circuits, Natural

KK 3.96mm Crimp [9507111](#)
Terminal Housing, 11
Circuits, Natural

KK 3.96mm Crimp [9507121](#)
Terminal Housing, 12
Circuits, Natural

KK 3.96mm Crimp [9507131](#)
Terminal Housing, 13
Circuits, Natural

KK 3.96mm Crimp [9507141](#)
Terminal Housing, 14
Circuits, Natural

KK 3.96mm Crimp [9507151](#)
Terminal Housing, 15
Circuits, Natural

KK 3.96mm Crimp [9507161](#)
Terminal Housing, 16
Circuits, Natural

KK 3.96mm Crimp [9507171](#)
Terminal Housing, 17
Circuits, Natural

KK 3.96mm Crimp [9507181](#)
Terminal Housing, 18
Circuits, Natural

KK 3.96mm Crimp [9507191](#)
Terminal Housing, 19
Circuits, Natural

KK 3.96mm Crimp [9507201](#)
Terminal Housing, 20
Circuits, Natural

KK 3.96mm Crimp [9507211](#)
Terminal Housing, 21
Circuits, Natural

KK 3.96mm Crimp [9507221](#)
Terminal Housing, 22
Circuits, Natural

KK 3.96mm Crimp [9507231](#)
Terminal Housing, 23
Circuits, Natural

KK 3.96mm Crimp [9507241](#)
Terminal Housing, 24
Circuits, Natural

KK 3.96mm Crimp [9508020](#)
Terminal Housing, 2
Circuits, Natural

KK 3.96mm Crimp [9508021](#)
Terminal Housing,

Friction Ramp, 2 Circuits, Natural KK 3.96mm Crimp Terminal Housing,	<u>9508023</u>
Friction Ramp, 2 Circuits, Natural KK 3.96mm Crimp Terminal Housing, 3	<u>9508030</u>
Friction Ramp, 3 Circuits, Natural KK 3.96mm Crimp Terminal Housing,	<u>9508031</u>
Friction Ramp, 3 Circuits, Natural KK 3.96mm Crimp Terminal Housing,	<u>9508033</u>
Friction Ramp, 3 Circuits, Natural KK 3.96mm Crimp Terminal Housing, 4	<u>9508040</u>
Circuits, Natural	

This document was generated on 10/27/2020

PLEASE CHECK WWW.MOLEX.COM FOR LATEST PART INFORMATION