

606 Series High-Current Fuse



Description

The 606 series is a 10x32mm cartridge fuse rated at 500VAC with 40A to 63A current ratings and a 2,000A@500Vac interrupting rating. It is designed for over-current protection in high voltage applications. The 606 series fuse is RoHS compliant and 100% Lead (Pb) free.

Agency Approvals

Agency	Agency File Number	Ampere Range
	E71611	40A to 63A

Features

- Rated voltage @ 500VAC
- 40A to 63A rating available
- Through-hole mounting for circuit boards
- RoHS compliant, Halogen-free, and Lead-free
- Recognized to UL 248-1

Electrical Characteristics for Series

% of Ampere Rating	Ampere Rating	Opening Time
100%	40A to 63A	1 Hour, Min.
200%	40A to 63A	120 Seconds, Max.

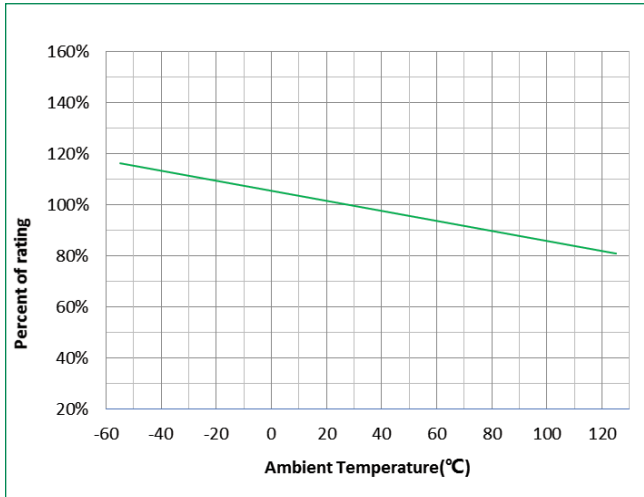
Applications

- Uninterruptible Power Supply (UPS)
- Three-phase AC input for charging pile/ Electric Vehicle Supply Equipment (EVSE)
- Power conversion equipment such as inverters, rectifiers, etc.
- Motor protection in elevator systems

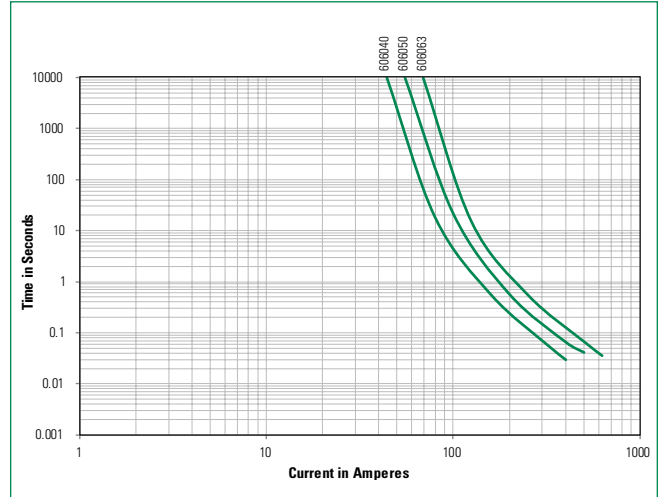
Electrical Specifications by Item

Ampere Rating (A)	Amp Code	Max Voltage Rating (V)	Interrupting Rating	Nominal Cold Resistance (mOhms)	Nominal Melting I ² t (A ² sec)	Watts Loss at 70% Rated Current (W)	Watts Loss at 100% Rated Current (W)	Agency Approvals
40	040.	500Vac	2000A @ 500Vac 10KA @ 250Vac	1.70	2500	1.90	4.63	X
50	050.			1.31	4800	2.34	5.65	X
63	063.			1.06	7000	2.96	7.30	X

Temperature Re-rating Curve



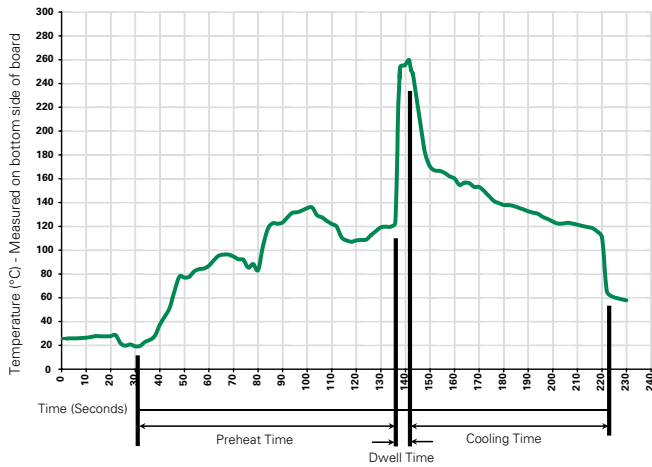
Average Time Current Curves



Note:

1. Rerating depicted in this curve is in addition to the standard derating of 25% for continuous operation.

Soldering Parameters - Wave Soldering



Wave Parameter	Lead-Free Recommendation
Preheat: (Depends on Flux Activation Temperature)	(Typical Industry Recommendation)
Temperature Minimum:	100°C
Temperature Maximum:	150°C
Preheat Time:	60-180 seconds
Solder Pot Temperature:	260°C Maximum
Solder Dwell Time:	2-5 seconds

Recommended Hand-Solder Parameters:

Solder Iron Temperature: 350°C +/- 5°C
Heating Time: 5 seconds max.

Note: These devices are not recommended for IR or Convection Reflow process.

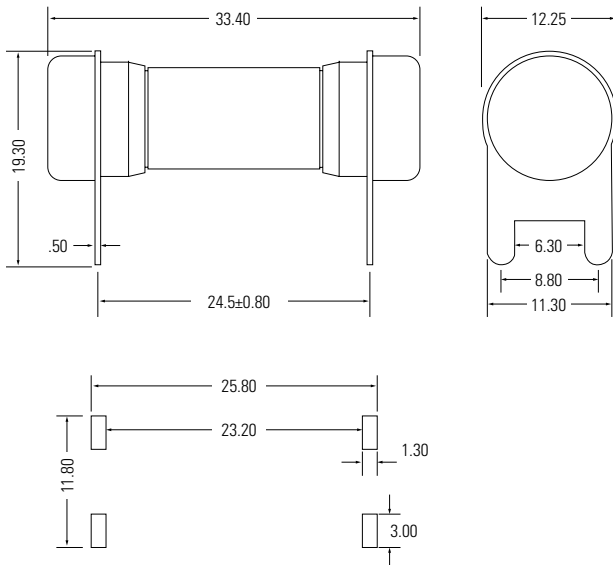
Product Characteristics

Materials	Body: Melamine Caps: Copper alloy Leads: Tin-plated copper alloy
Terminal Strength	MIL-STD-202, Method 211 Test condition A
Solderability	Reference MIL-STD-202 method 208
Product Marking	Cap1: Brand logo, Current and Voltage ratings Cap2: Series and agency approval Marks

Operating Temperature	-55°C to +125°C
Thermal Shock	MIL-STD-202, Method 107 Test condition B (5 cycles -65°C to 125°C)
Vibration	MIL-STD-202, Method 201
Moisture Resistance	MIL-STD-202, Method 103 Test condition A
Salt Spray	MIL-STD-202, Method 101 Test condition B

Part Numbering System

Unit in mm

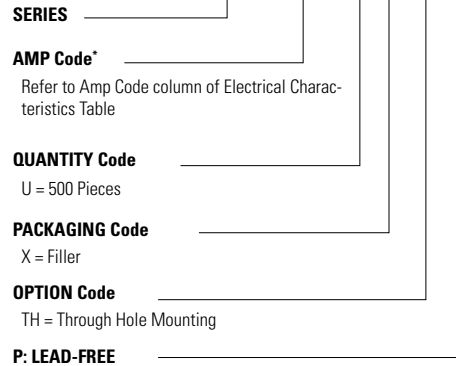


Recommended Drilling Pattern

4oz (140µm) minimum Cu layer for 40A and 50A
6oz (210µm) minimum Cu layer for 63A

Part Numbering System

0606 XXX. U X TH P



Packaging

Packaging Option	Packaging Specification	Quantity	Quantity & Packaging Code	Reel Size
Tray	N/A	500	UXTH	N/A