

PLEASE CHECK WWW.MOLEX.COM FOR LATEST PART INFORMATION

Part Number: **0541222629**
Status: **Contact Molex**
Description: 1.27mm (.050") Pitch Wire-to-Board Shielded Receptacle, Vertical, Dual Row, 26 Circuits, Lead-free

Documents:

[3D Model](#) [Product Specification PS-52986-016 \(PDF\)](#)
[Drawing \(PDF\)](#) [RoHS Certificate of Compliance \(PDF\)](#)

General

| | |
|----------------|--------------------|
| Product Family | I/O Connectors |
| Series | <u>54122</u> |
| Application | Wire-to-Board |
| Component Type | Receptacle |
| Product Name | Leaf Style Contact |
| Type | N/A |

Physical

| | |
|--------------------------------|-----------------|
| Circuits (Loaded) | 26 |
| Circuits (maximum) | 26 |
| Color - Resin | Black |
| Durability (mating cycles max) | 500 |
| Lock to Mating Part | Yes |
| Material - Metal | Phosphor Bronze |
| Material - Plating Mating | Gold |
| Material - Plating Termination | Tin |
| Material - Resin | Polyester |
| Orientation | Vertical |
| PC Tail Length | 3.18mm (.125") |
| PCB Retention | None |
| PCB Thickness - Recommended | 1.60mm (.063") |
| Packaging Type | Tray |
| Panel Mount | Yes |
| Pitch - Mating Interface | 1.27mm (.050") |
| Plating min - Mating | 0.305µm (12µ") |
| Plating min - Termination | 1.016µm (40µ") |
| Polarized to Mating Part | Yes |
| Surface Mount Compatible (SMC) | No |
| Temperature Range - Operating | -55°C to +85°C |
| Termination Interface: Style | Through Hole |
| Wire Size AWG | N/A |

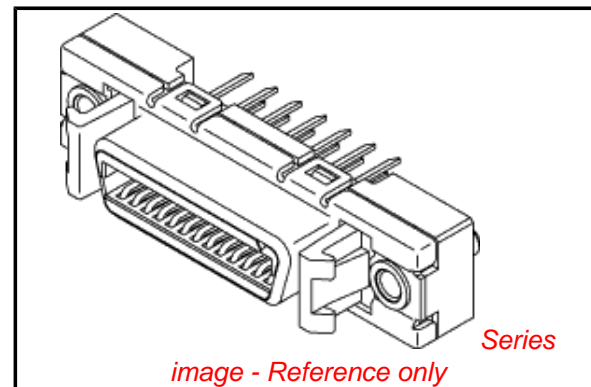
Electrical

| | |
|-------------------------------|------|
| Current - Maximum per Contact | 1A |
| Shielded | Yes |
| Voltage - Maximum | 250V |

Material Info

Reference - Drawing Numbers

| | |
|-----------------------|--|
| Product Specification | PS-52986-016, RPS-52986-032, RPS-52986-033 |
| Sales Drawing | SD-54122-001 |



EU RoHS

RoHS Compliant by Exemption
REACH SVHC
 Not Reviewed
Low-Halogen Status
 Not Reviewed

China RoHS



Need more information on product environmental compliance?

Email productcompliance@molex.com
 For a multiple part number RoHS Certificate of Compliance, [click here](#)

Please visit the [Contact Us](#) section for any non-product compliance questions.

Search Parts in this Series

54122Series

Mates With

54306 , [Link:52316](#)