

0413-214-1205 ✓ ACTIVE

DEUTSCH | DEUTSCH HD, DEUTSCH HD30

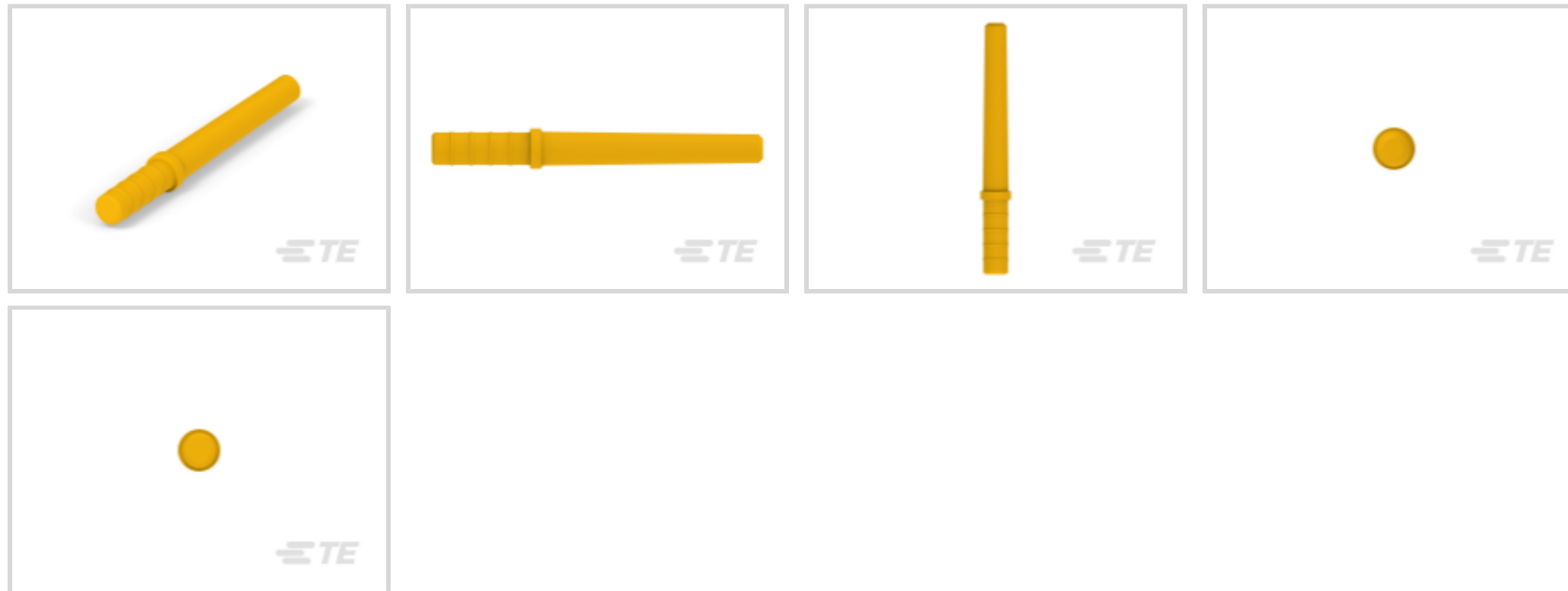
TE Internal #: 0413-214-1205

Keying Plug, PBT, Yellow, -55 – 125 °C [-67 – 257 °F] Operating Temperature

[View on TE.com >](#)



Connectors > Connector Accessories > Connector Seals & Cavity Plugs > DEUTSCH Sealing Plugs



Connector Seal & Plug Type: **Keying Plug**

Primary Product Material: **PBT**

Primary Product Color: **Yellow**

Resistance to Hydrocarbons: **Good**

Operating Temperature (Max): **125 °C [257 °F]**

[All DEUTSCH Sealing Plugs \(10\)](#)

Features

Product Type Features

| | |
|----------------------------|-------------|
| Connector Seal & Plug Type | Keying Plug |
|----------------------------|-------------|

Body Features

| | |
|--------------------------|--------|
| Primary Product Material | PBT |
| Primary Product Color | Yellow |

Usage Conditions

| | |
|-----------------------------|----------------------------|
| Operating Temperature (Max) | 125 °C[257 °F] |
| Operating Temperature Range | -55 – 125 °C[-67 – 257 °F] |

Industry Standards

| | |
|------------------------|----------|
| UL Flammability Rating | UL 94V-0 |
|------------------------|----------|

Packaging Features

| | |
|------------------|-----|
| Packaging Method | Box |
|------------------|-----|

Other

| | |
|--|--|
| | |
|--|--|

| | |
|----------------------------|------|
| Resistance to Hydrocarbons | Good |
|----------------------------|------|

| | |
|--------------------|----|
| Contains Lubricant | No |
|--------------------|----|

Product Compliance

[For compliance documentation, visit the product page on TE.com>](#)

| | |
|------------------------------|-----------|
| EU RoHS Directive 2011/65/EU | Compliant |
|------------------------------|-----------|

| | |
|-----------------------------|-----------|
| EU ELV Directive 2000/53/EC | Compliant |
|-----------------------------|-----------|

| | |
|---|---|
| China RoHS 2 Directive MIIT Order No 32, 2016 | No Restricted Materials Above Threshold |
|---|---|

| | |
|--|---|
| EU REACH Regulation (EC) No. 1907/2006 | Current ECHA Candidate List: JUNE 2023 (235) Candidate List Declared Against: JUNE 2023 (235) Does not contain REACH SVHC |
|--|---|

| | |
|-----------------|--|
| Halogen Content | Not Low Halogen - contains Br or Cl > 900 ppm. |
|-----------------|--|

| | |
|---------------------------|--|
| Solder Process Capability | Not reviewed for solder process capability |
|---------------------------|--|

Product Compliance Disclaimer

This information is provided based on reasonable inquiry of our suppliers and represents our current actual knowledge based on the information they provided. This information is subject to change. The part numbers that TE has identified as EU RoHS compliant have a maximum concentration of 0.1% by weight in homogenous materials for lead, hexavalent chromium, mercury, PBB, PBDE, DBP, BBP, DEHP, DIBP, and 0.01% for cadmium, or qualify for an exemption to these limits as defined in the Annexes of Directive 2011/65/EU (RoHS2). Finished electrical and electronic equipment products will be CE marked as required by Directive 2011/65/EU. Components may not be CE marked. Additionally, the part numbers that TE has identified as EU ELV compliant have a maximum concentration of 0.1% by weight in homogenous materials for lead, hexavalent chromium, and mercury, and 0.01% for cadmium, or qualify for an exemption to these limits as defined in the Annexes of Directive 2000/53/EC (ELV). Regarding the REACH Regulation, the information TE provides on SVHC in articles for this part number is based on the latest European Chemicals Agency (ECHA) 'Guidance on requirements for substances in articles' posted at this URL: <https://echa.europa.eu/guidance-documents/guidance-on-reach>

Compatible Parts



TE Part # CAT-H3930-CH8172
DEUTSCH HD30 Housings



TE Part # CAT-H396-CH8172
DEUTSCH HDP20 Housings



TE Part # CAT-D781-CH8172
DEUTSCH DRB Housings



TE Part # CAT-D486-CH8172
DEUTSCH DTP Housings



TE Part # CAT-D48-PCH8172
DEUTSCH DTHD Housings



TE Part # CAT-D799-CH8172
DEUTSCH DRC Housings



TE Part # CAT-H3910-CH8172
DEUTSCH HD10 Housings



TE Part # HDP26-24-16PN-L017
PLG, 16P, BLK, N, RNG, 12, P



TE Part # HDP24-24-19PE-L015
REC, 19P, BLK, E, THD, 12/16, P



TE Part # HDP24-24-19SE-L017
REC, 19P, BLK, E, RNG, 12/16, S



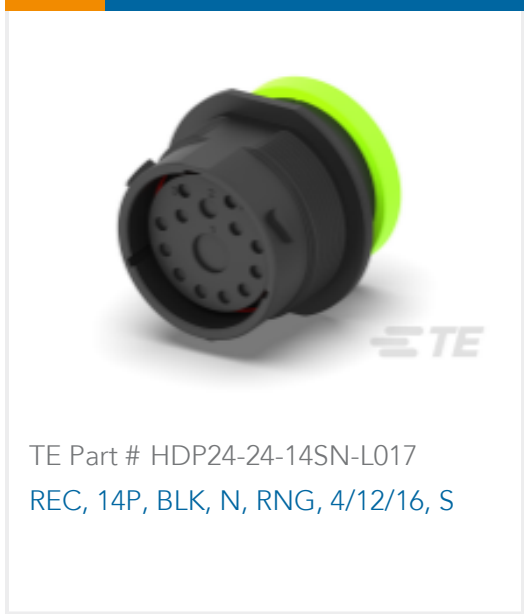
TE Part # DRCP28-86SB
PLG, 86P, BLK, 12/20, B



TE Part # HDP24-24-14PE-L017
REC, 14P, BLK, E, RNG, 4/12/16, P



TE Part # HDP24-24-14PN-L017
REC, 14P, BLK, N, RNG, 4/12/16, P



TE Part # HDP24-24-14SN-L017
REC, 14P, BLK, N, RNG, 4/12/16, S



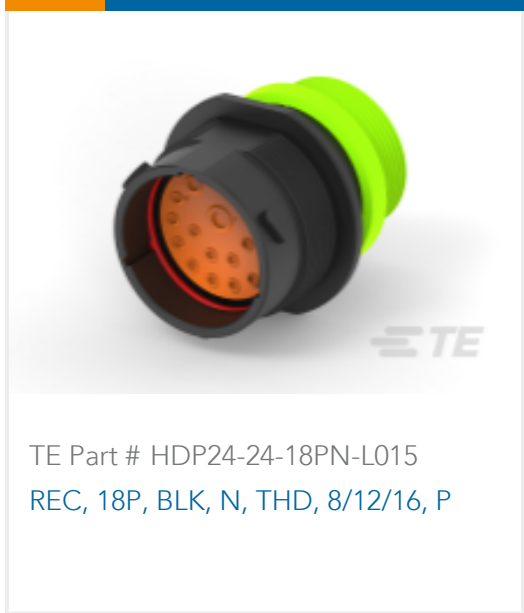
TE Part # HDP24-24-16PE-L015
REC, 16P, BLK, E, THD, 12, P



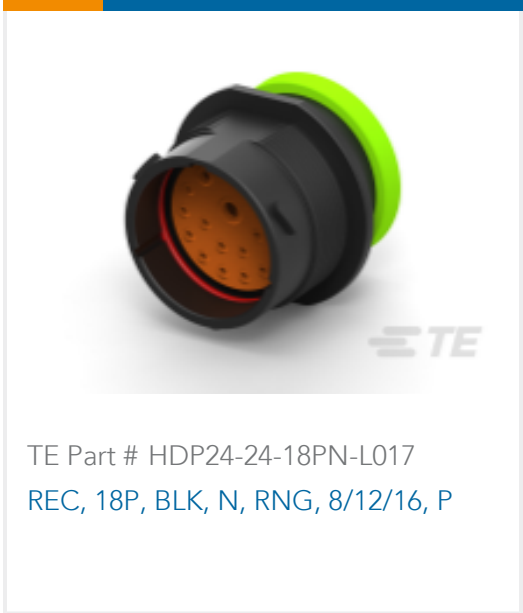
TE Part # HDP24-24-16PN-L017
REC, 16P, BLK, N, RNG, 12, P



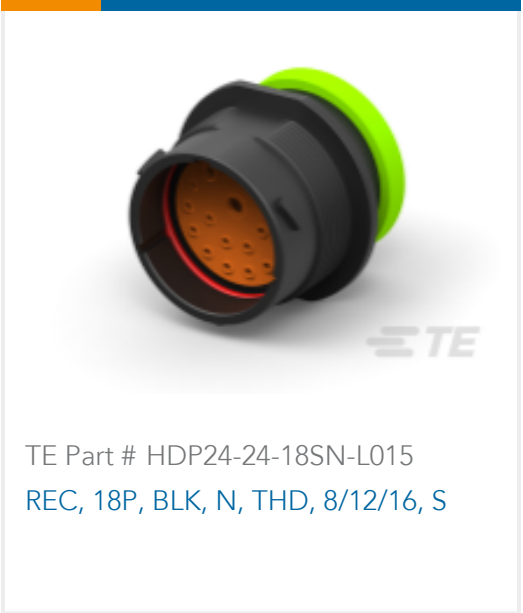
TE Part # HDP24-24-16SE-L015
REC, 16P, BLK, E, THD, 12, S



TE Part # HDP24-24-18PN-L015
REC, 18P, BLK, N, THD, 8/12/16, P

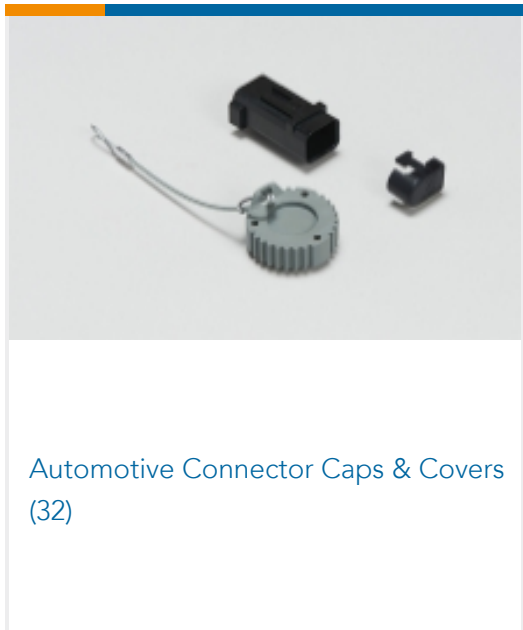


TE Part # HDP24-24-18PN-L017
REC, 18P, BLK, N, RNG, 8/12/16, P

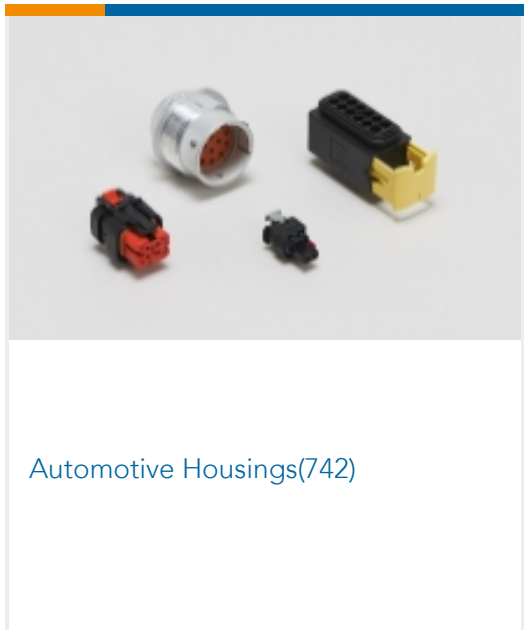


TE Part # HDP24-24-18SN-L015
REC, 18P, BLK, N, THD, 8/12/16, S

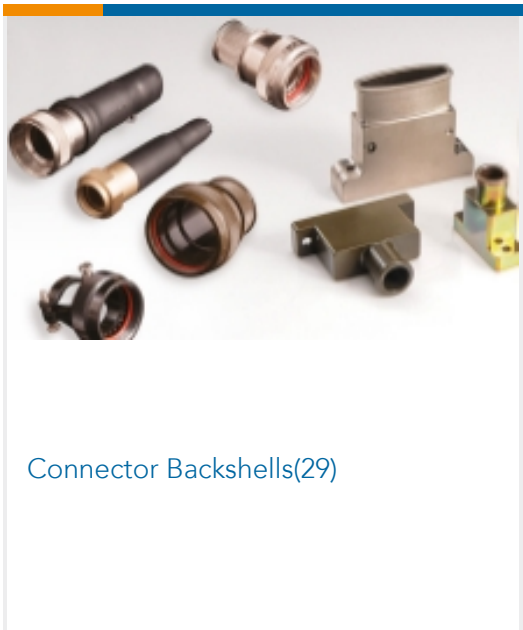
Also in the Series | **DEUTSCH HD**



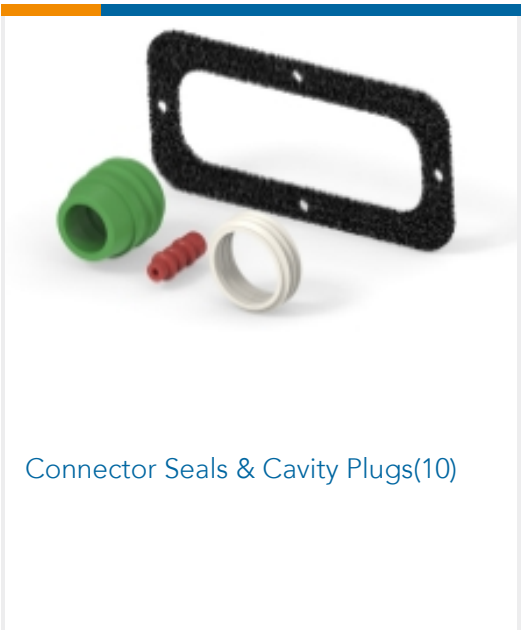
Automotive Connector Caps & Covers
(32)



Automotive Housings(742)



Connector Backshells(29)



Connector Seals & Cavity Plugs(10)



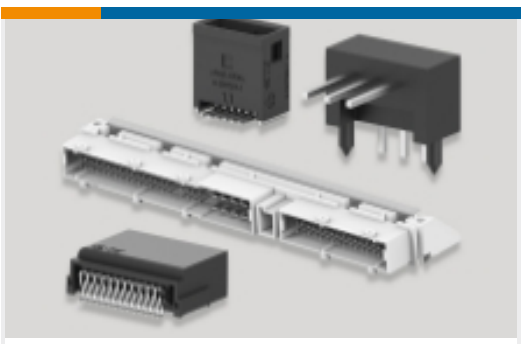
Connector Strain Relief(5)



Insertion & Extraction Tools(11)



Other Automotive Connector Accessories(11)



PCB Headers & Receptacles(1)

Also in the Series | **DEUTSCH HD30**



Automotive Connector Caps & Covers (14)



Automotive Housings(359)



Connector Backshells(2)



Connector Seals & Cavity Plugs(11)



Connector Strain Relief(5)



Insertion & Extraction Tools(10)

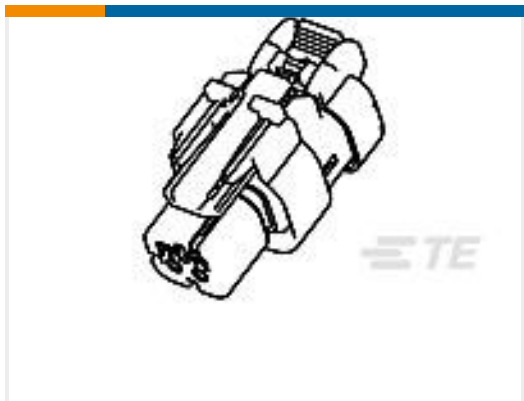


Other Automotive Connector Accessories(6)

Customers Also Bought



TE Part #0413-216-2005
SEALING PLUG, SIZE 20, KEYING, RED



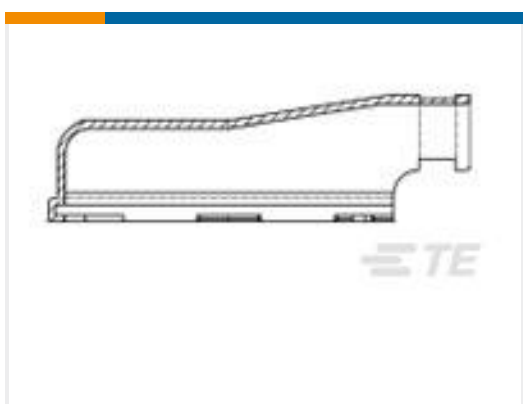
TE Part #776523-3
AS 16, 3P PLUG ASSY, RD, KEY 3



TE Part #EH2292-000
DWFR-19/6-0-STK



TE Part #DRC12-70PC
DEUTSCH DRC Housings



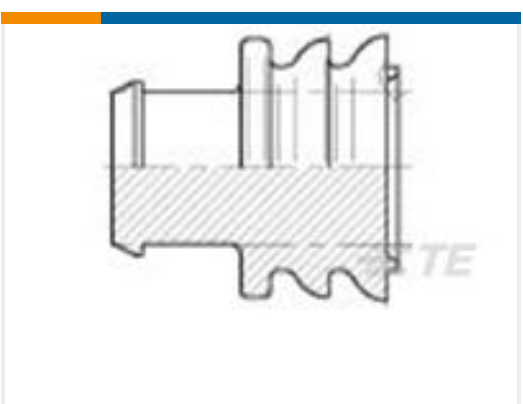
TE Part #962371-1
ABDECKAPPE F42/29P



TE Part #8-34123-1
TERM,SOLIS R 16-14 10



TE Part #HDP24-18-8PE-L017
REC, 8P, BLK, E, RNG, 12, P



TE Part #828986-1
DICHT-STOPFEN



Documents

Product Drawings

SEALING PLUG, SIZE 12, KEYING, YEL

English

CAD Files

3D PDF

3D

Customer View Model

[ENG_CVM_CVM_0413-214-1205_A.2d_dxf.zip](#)

English

Customer View Model

[ENG_CVM_CVM_0413-214-1205_A.3d_igs.zip](#)

English

Customer View Model

[ENG_CVM_CVM_0413-214-1205_A.3d_stp.zip](#)

English

By downloading the CAD file I accept and agree to the [Terms and Conditions](#) of use.

Datasheets & Catalog Pages

CONNECTOR SELECTOR

English

Product Specifications

Application Specification

English

Instruction Sheets

Instruction Sheet (U.S.)

English