

General Specifications

Motor Protection: Auto Restart/Polarity Protection
 Insulation Resistance: 10M Ohm or over with a DC500V Megger
 Dielectric Withstand Voltage: AC 700V 1st
 Allowable Ambient Temperature Range:
 L~M Class: -10 degree C ~ +70 degree C (Operating)
 N Class: -10 degree C ~ +70 degree C (Operating)
 All Class: -40 degree C ~ +70 degree C (Storage)
 (non-condensing environment)

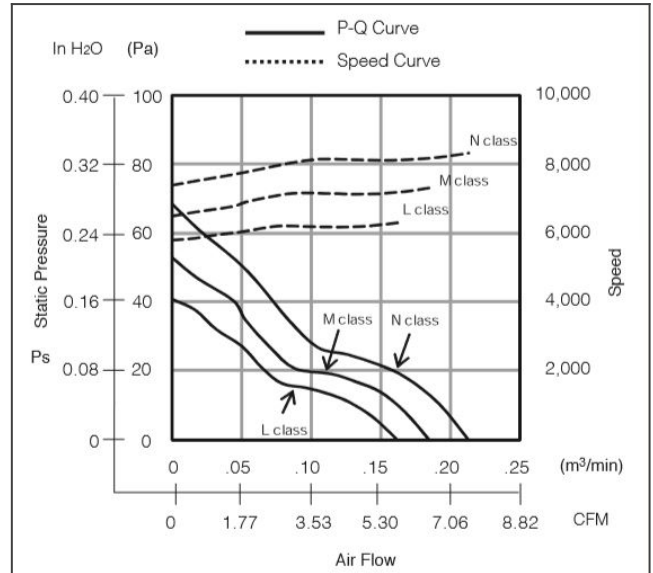
Material

Casing: Aluminum (Black)
 Impeller: Plastic (Black) UL94V-0
 Lead Wire: UL10368, AWG22, +Red, -Black

04015SS product picture

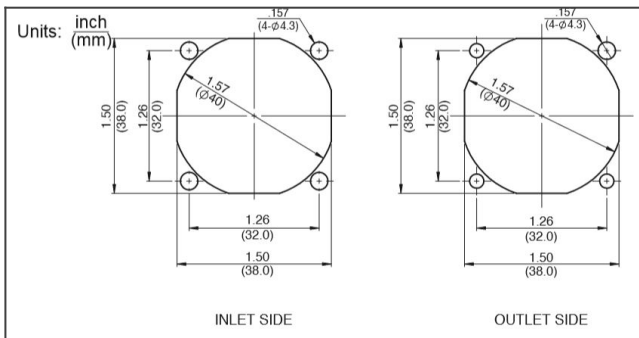


04015SS characteristics curve

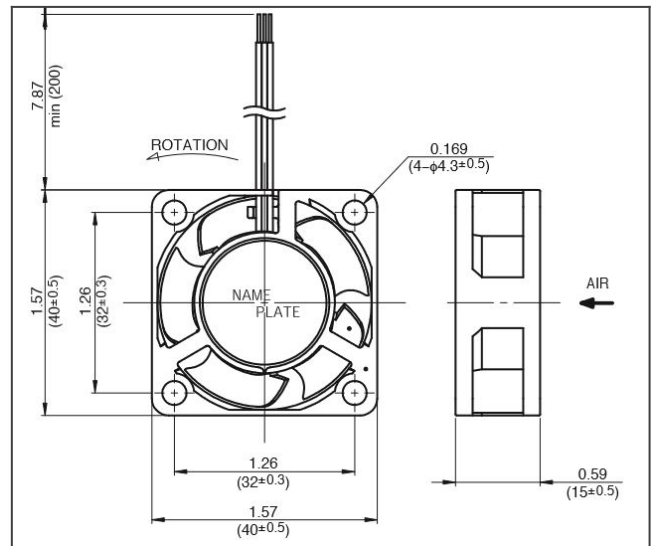


DC Fans

04015SS panel cut out



04015SS product drawing



Detailed Specifications

Expected Life:	40 degree C 40,000 Hours (L10)
DC Fan:	Sleeve Bearing Fan
Nominal Voltage:	24
Operating Voltage Lower:	10
Operating Voltage Upper:	27.6
Current:	0.03
Input Power:	0.6
Speed:	6300
Max. Air Flow:	0.16
Max. Air Flow:	5.7
Max. Static Pressure:	40
Max. Static Pressure:	0.16
Noise:	26
Mass:	23
Fan Size:	40
Fan Width:	15

DC Fans