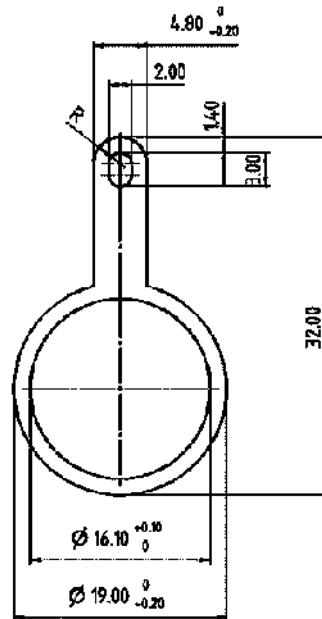


Product description

Area **series 713/715/763/766/813/814/815/825/866/876**  
 Part no. **04 0735 124**

Illustration

Scale drawing



Technical data

General features

Part no.	<b>04 0735 124</b>
Weight (g)	0.335
Customs tariff number	74092900

Electrical parameters

Shield connection	Soldering lug
-------------------	---------------

Material

REACH SVHC	None (No pollutants)
SCIP number	None (No pollutants)
Surface	DIN 50965 - Cu/Sn 4-8
Material	DIN 1791 - CuZn37-F37

Classifications

eCl@ss 11.1	27-44-01-92
-------------	-------------