

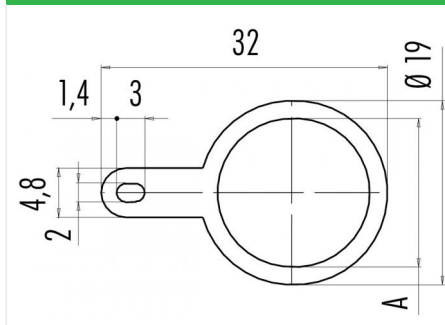
Product description **M12-A/B/D/K/K/L/S/T/US/X - Shielding plate for flange connectors, screwable from the rear, PG9; series 713/715/763/766/813/814/815/825/866/876**

Order number **04 0734 124**

Illustration



Scale drawing



Technical data

General features

Order number 04 0734 124
 Weight (g) 0.381
 Customs tariff number 74092900

Electrical parameters

Shield connection Soldering lug

Material

Surface DIN 50965 Cu/Sn 4-8
 Material DIN 1791-CuZn37-F37

Classifications

eCl@ss 11.1 27-44-01-92