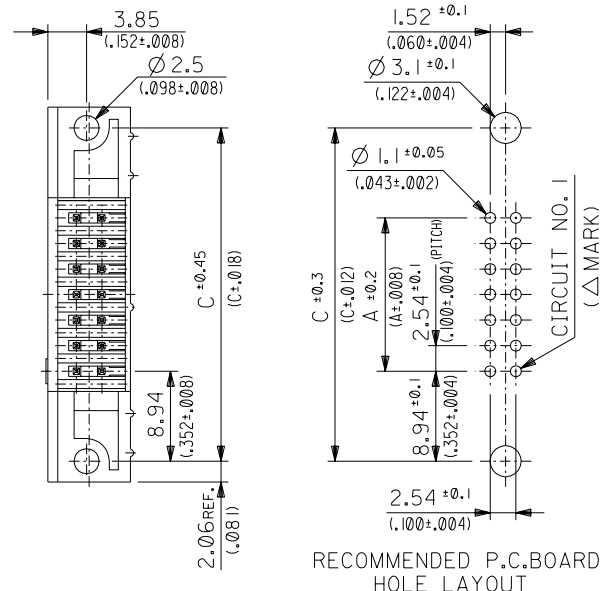
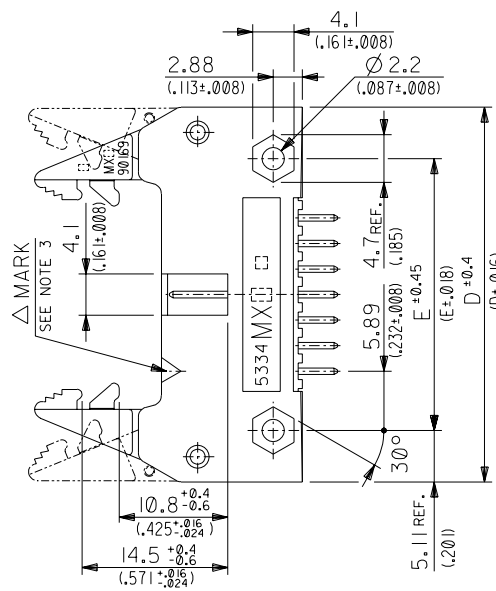
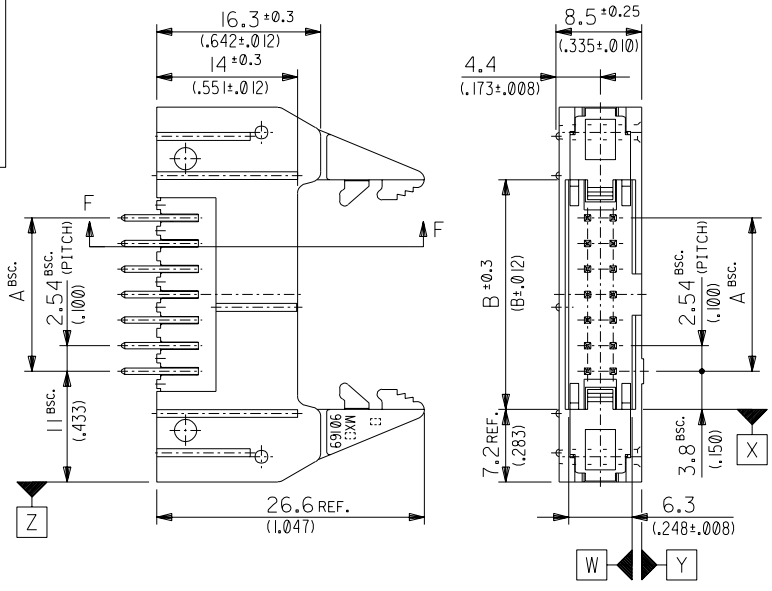


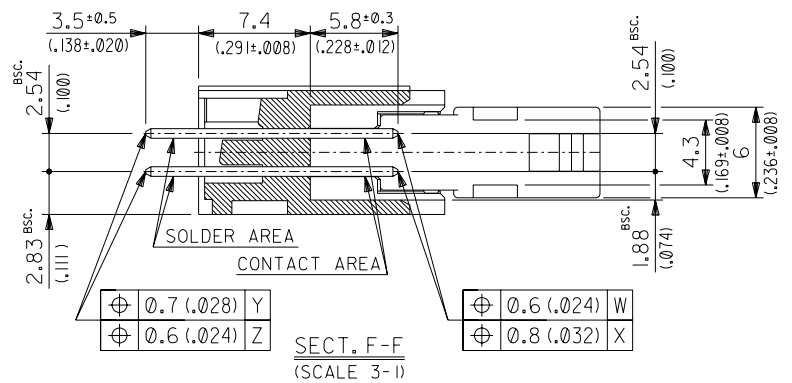
SEE SHEET 2 OF 2



RECOMMENDED P.C. BOARD HOLE LAYOUT (PARTS MOUNTING SIDE)

NOTES

- MATERIAL HEADER & EJECT LEVER : G.F. 15% PBTP (UL94V-0), COLOR---BLACK
 PINS : BRASS, SIZE--- □ 0.635(0.25 SQ.)
 SPRING PIN : STEEL
- MATES WITH MOLEX CONNECTOR SERIES OF 5320.
- LEGEND
 BASE NUMBER 5576 - N B * - -
 CIRCUIT SIZE
 WITH EJECT LEVER
 PLATING CODE OF PIN
 VOID CODE
- SEE SHEET 3 FOR VOID OPTIONS

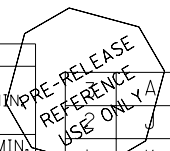


CODE:*	△ MARK COLOR	CONTACT AREA	SOLDER AREA	UNDER PLATE
GS1	YELLOW	GOLD 0.1µm(0.000004) MIN.	TIN 3 µm(0.00012) MIN.	NICKEL 1 µm(0.00004) MIN.
GS2	BROWN	GOLD 0.76µm(0.00003) MIN.		
GS3	BLUE	GOLD 0.25 µm(0.00001) MIN.		
T2	BLACK	TIN 1 µm(0.00004) MIN.		NICKEL 0.5µm(0.00002) MIN.

NO. OF CKTS.	DIM. A	DIM. B	DIM. C	DIM. D	DIM. E
64	78.74 (3.100)	86.34 (3.400)	96.62 (3.804)	100.74 (3.966)	90.52 (3.564)
60	73.66 (2.900)	81.26 (3.200)	91.54 (3.604)	95.66 (3.766)	85.44 (3.364)
50	60.96 (2.400)	68.56 (2.700)	78.84 (3.104)	82.96 (3.266)	72.74 (2.864)
40	48.26 (1.900)	55.86 (2.200)	66.14 (2.604)	70.26 (2.766)	60.04 (2.364)
34	40.64 (1.600)	48.24 (1.900)	58.52 (2.304)	62.64 (2.466)	52.42 (2.064)
30	35.56 (1.400)	43.16 (1.700)	53.44 (2.104)	57.56 (2.266)	47.34 (1.864)
26	30.48 (1.200)	38.08 (1.500)	48.36 (1.904)	52.48 (2.066)	42.26 (1.664)
20	22.86 (0.900)	30.46 (1.200)	40.74 (1.604)	44.86 (1.766)	34.64 (1.364)
16	17.78 (0.700)	25.38 (1.000)	35.66 (1.404)	39.78 (1.566)	29.56 (1.164)
14	15.24 (0.600)	22.84 (0.900)	33.12 (1.304)	37.24 (1.466)	27.02 (1.064)
10	10.16 (0.400)	17.76 (0.700)	28.04 (1.104)	32.16 (1.266)	21.94 (0.864)

LEAD FREE CONVERSION P/N NO. E20004-0792 DRWN: PSHEAHAN 04/02/17 CHK: / / APPR: / / REV K	DESCRIPTION MAJOR CRITICAL	QUALITY SYMBOLS = =	GENERAL TOLERANCES: (UNLESS SPECIFIED) mm INCH		SCALE 2:1 DESIGN UNITS <input type="checkbox"/> mm <input type="checkbox"/> INCH	THIRD ANGLE PROJECTION DIMENSIONS: mm INCH mm ONLY	SHT REV REVISION ON CAD ONLY	
			4 PLACES ±0. ±. 3 PLACES ±0. ±. 2 PLACES ±0.05 ±. 1 PLACE ±0.10 ±.		DRAWN BY & DATE H.HIRAMOTO '89/12/1			TITLE: QIK FLECS HEADER ASS'Y ST. WITH DIN EJECT LEVER
			ANGULAR: ± °		CHECKED BY & DATE APPROVED BY & DATE			
			DRAFT WHERE APPLICABLE MUST REMAIN WITHIN DIMENSIONS		CAD FILENAME 5576_S21			MOLEX INCORPORATED MATERIAL NO. DRAWING NO. SD-5576-NB* SHEET NO. 1 OF 3




THIS DRAWING CONTAINS INFORMATION THAT IS PROPRIETARY TO MOLEX INCORPORATED AND SHOULD NOT BE USED WITHOUT WRITTEN PERMISSION.



PART NO. SHEET 2 OF 3
 DWG. NO. SD-5576-NB*

39-27-1645	5576-64BGS3	64
▲ -1605	▲ -60BGS3	60
-1505	-50BGS3	50
-1405	-40BGS3	40
-1345	-34BGS3	34
-1305	-30BGS3	30
-1265	-26BGS3	26
-1205	-20BGS3	20
-1165	-16BGS3	16
▼ -1145	▼ -14BGS3	14
39-27-1105	5576-10BGS3	10
EDP NO.	ENG. NO.	NO. OF CKTS.
5576-NBGS3		
39-27-1644	5576-64BGS2	64
▲ -1604	▲ -60BGS2	60
-1504	-50BGS2	50
-1404	-40BGS2	40
-1344	-34BGS2	34
-1304	-30BGS2	30
-1264	-26BGS2	26
-1204	-20BGS2	20
-1164	-16BGS2	16
▼ -1144	▼ -14BGS2	14
39-27-1104	5576-10BGS2	10
EDP NO.	ENG. NO.	NO. OF CKTS.
5576-NBGS2		
39-27-1643	5576-64BGS1	64
▲ -1603	▲ -60BGS1	60
-1503	-50BGS1	50
-1403	-40BGS1	40
-1343	-34BGS1	34
-1303	-30BGS1	30
-1263	-26BGS1	26
-1203	-20BGS1	20
-1163	-16BGS1	16
▼ -1143	▼ -14BGS1	14
39-27-1103	5576-10BGS1	10
EDP NO.	ENG. NO.	NO. OF CKTS.
5576-NBGS1		

39-28-5505	5576-50BT2	50
▲ -5405	▲ -40BT2	40
-5345	-34BT2	34
-5305	-30BT2	30
-5265	-26BT2	26
-5205	-20BT2	20
-5165	-16BT2	16
▼ -5145	▼ -14BT2	14
39-28-5105	5576-10BT2	10
EDP NO.	ENG. NO.	NO. OF CKTS.
5576-NBT2		

REVISION UP-DATE EC NO. E2003-0714 DRWN: PSHEAHAN 03/02/07 CHK: APPR:	QUALITY SYMBOLS MAJOR  = CRITICAL  =	GENERAL TOLERANCES: (UNLESS SPECIFIED)		SCALE 2:1	DESIGN UNITS <input type="checkbox"/> mm <input type="checkbox"/> INCH	<input checked="" type="checkbox"/> THIRD ANGLE <input type="checkbox"/> PROJECTION	DIMENSIONS: <input type="checkbox"/> mm <input type="checkbox"/> INCH <input type="checkbox"/> mm <input type="checkbox"/> ONLY		SHT REV
		DESCRIPTION REV	mm INCH	DRAWN BY & DATE H.HIRAMOTO '89/12/1	TITLE: QIK FLECS HEADER ASS'Y ST. WITH DIN EJECT LEVER		APPROVED BY & DATE		 MOLEX INCORPORATED
DRAFT WHERE APPLICABLE MUST REMAIN WITHIN DIMENSIONS		ANGULAR: ± °		CAD FILENAME 5576 .522	MATERIAL NO. SEE CHART	DRAWING NO. SD-5576-NB*	THIS DRAWING CONTAINS INFORMATION THAT IS PROPRIETARY TO MOLEX INCORPORATED AND SHOULD NOT BE USED WITHOUT WRITTEN PERMISSION.		SIZE B