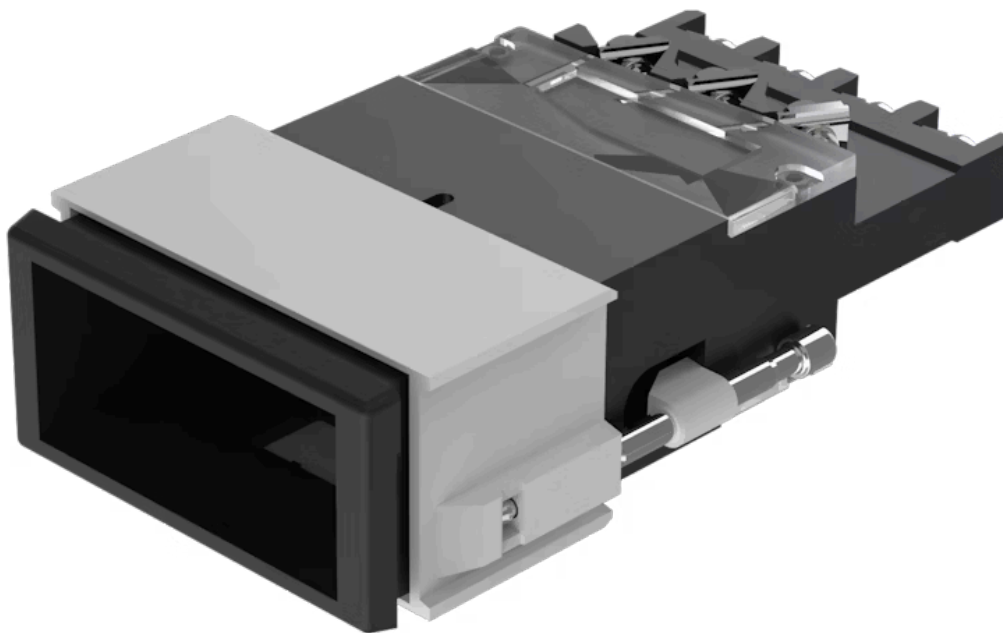


Actuator

03-
627.011



<https://eao.com/p/03-627.011>

Your product:



03-627.011 Actuator

FRONT

Front bezel colour: Black

Front bezel material: Plastic

MOUNTING

Design: flush

Mounting cut-out: 21.2 mm x 41.2 mm

OPERATING-/INDICATION PART

Lens illumination: illuminative

ELECTRICAL CHARACTERISTICS

Contacts: 1 C

Rated insulation voltage U_i : 400 VAC/440 VDC according to IEC 60947-5-1

Thermal current I_{th} : 10 A

Electric strength: 2500 VAC, 50 Hz, 1 minute, as per IEC 60947-5-1 between all terminals and earth

Standards: The switches comply with the "Standards for low-voltage switching devices" EN IEC 60947-5-1

Switching voltage and switching current:

according to UL	
250 VAC, 10 A	
according to IEC 60947-5-1	
AC-12: 400 V, 10 A	AC-15: 400 V, 6 A
AC-15: 250 V, 8 A	DC-13: 110 V, 0.4 A
DC-13: 60 V, 1 A	DC-13: 24 V, 3 A

MECHANICAL CHARACTERISTIC

Tightening torque:

Fixing sleeve max. 0.2 Nm, Screw terminal 0.8 Nm

Weight:	0.075 kg
Operating Travel:	ca. 5 mm
Mechanical lifetime:	2 Mio. cycles of operation
Switching system:	Snap-action switching element
Operating force:	6 ... 12 N
Contact material:	Silver
Switching action:	Momentary
Switching system:	1 or 2 self-cleaning snap action switching elements. 1 or 2 double-throw contacts.
Terminal:	Screw terminal

AMBIENT CONDITION

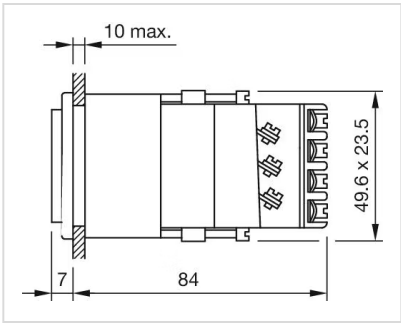
IP Protection:	IP40 front side, IP65 with spray cover, according to IEC 60529
Storage temperature:	- 30 °C ... + 85 °C
Shock resistance:	15 g for 11 ms, according to IEC 60068-2-27
Operating temperature:	- 25 °C ... + 55 °C, mounted as a block, make sure the heat can escape freely
Vibration resistance:	10 g at 10 Hz...2000 Hz, amplitude 1.0 mm, according to IEC 60068-2-6

CERTIFICATE

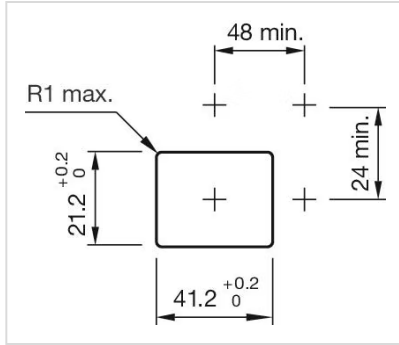
Conformities:	CE, UKCA, 2011 / 65 / EC (RoHS), 2014 / 35 / EU (LVD)
Approbations:	CB (IEC 61058-1), CSA, DNV, UL

OTHER

Housing colour:	Black
Hints:	Has two independent lamp bases, For LED element fitting information see Application guidelines, LED polarity
Short Description:	Actuator, 21.2 mm x 41.2 mm, illuminative, Black, Plastic, 1 C, Momentary, Screw terminal
Housing material:	Plastic
Dimension drawings:	



Mounting cut-outs:



Wiring diagrams:

