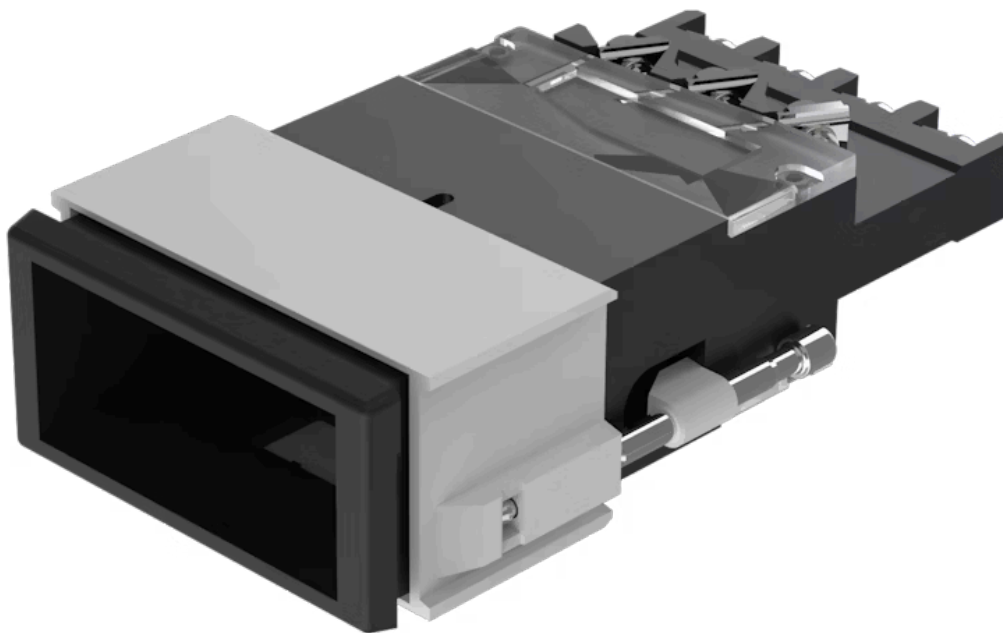


Actuator

03-
624.011



<https://eao.com/p/03-624.011>

Your product:



03-624.011 Actuator

FRONT

Front bezel colour: Black

Front bezel material: Plastic

MOUNTING

Design: flush

Mounting cut-out: 21.2 mm x 41.2 mm

OPERATING-/INDICATION PART

Lens illumination: illuminative

ELECTRICAL CHARACTERISTICS

Switching voltage and switching current:

according to UL	
250 VAC, 10 A	
according to IEC 60947-5-1	
AC-12: 400 V, 10 A	AC-15: 400 V, 6 A
AC-15: 250 V, 8 A	DC-13: 110 V, 0.4 A
DC-13: 60 V, 1 A	DC-13: 24 V, 3 A

Rated insulation voltage U_i : 400 VAC/440 VDC according to IEC 60947-5-1

Contacts: 2 C

Thermal current I_{th} : 10 A

Electric strength: 2500 VAC, 50 Hz, 1 minute, as per IEC 60947-5-1 between all terminals and earth

Standards: The switches comply with the "Standards for low-voltage switching devices" EN IEC 60947-5-1

MECHANICAL CHARACTERISTIC

Mechanical lifetime:

2 Mio. cycles of operation

Tightening torque: Fixing sleeve max. 0.2 Nm, Screw terminal 0.8 Nm

Terminal: Screw terminal

Switching system: 1 or 2 self-cleaning snap action switching elements.
1 or 2 double-throw contacts.

Operating Travel: ca. 5 mm

Operating force: 6 ... 12 N

Switching action: Momentary

Weight: 0.08 kg

Switching system: Snap-action switching element

Contact material: Silver

AMBIENT CONDITION

Operating temperature: – 25 °C ... + 55 °C, mounted as a block, make sure the heat can escape freely

Storage temperature: – 30 °C ... + 85 °C

Shock resistance: 15 g for 11 ms, according to IEC 60068-2-27

IP Protection: IP40 front side, IP65 with spray cover, according to IEC 60529

Vibration resistance: 10 g at 10 Hz...2000 Hz, amplitude 1.0 mm, according to IEC 60068-2-6

CERTIFICATE

Approbations: CB (IEC 61058-1), CSA, DNV, UL

Conformities: CE, UKCA, 2011 / 65 / EC (RoHS), 2014 / 35 / EU (LVD)

OTHER

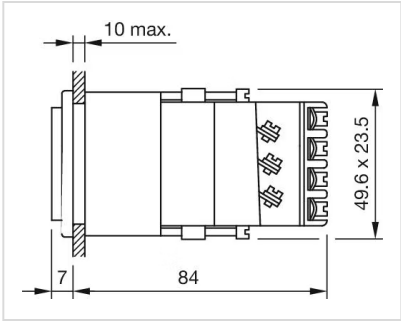
Hints: Has two independent lamp bases, For LED element fitting information see Application guidelines, LED polarity

Housing colour: Black

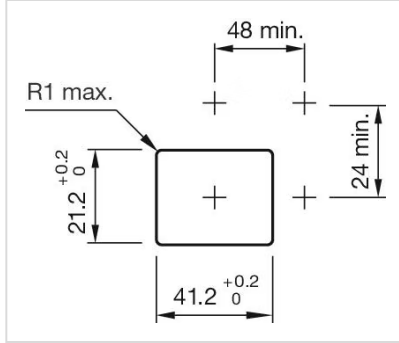
Short Description: Actuator, 21.2 mm x 41.2 mm, illuminative, Black, Plastic, 2 C, Momentary, Screw terminal

Housing material: Plastic

Dimension drawings:



Mounting cut-outs:



Wiring diagrams:

