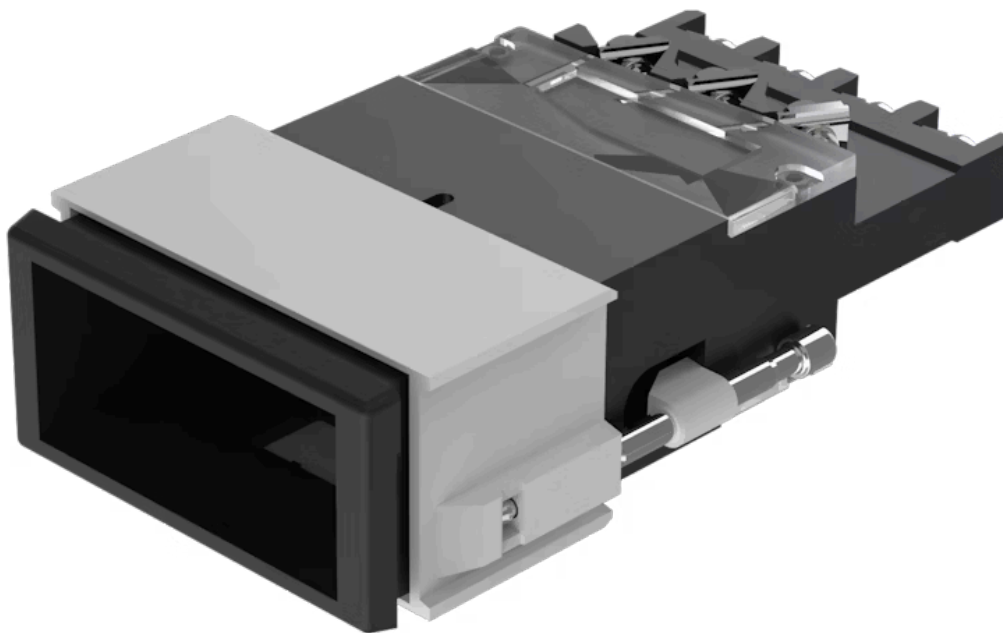


Actuator

03-
614.011



<https://eao.com/p/03-614.011>

Your product:



03-614.011 Actuator

FRONT

Front bezel material: Plastic

Front bezel colour: Black

MOUNTING

Design: flush

Mounting cut-out: 21.2 mm x 41.2 mm

OPERATING-/INDICATION PART

Lens illumination: non illuminative

ELECTRICAL CHARACTERISTICS

Switching voltage and switching current:

according to UL	
250 VAC, 10 A	
according to IEC 60947-5-1	
AC-12: 400 V, 10 A	AC-15: 400 V, 6 A
AC-15: 250 V, 8 A	DC-13: 110 V, 0.4 A
DC-13: 60 V, 1 A	DC-13: 24 V, 3 A

Electric strength: 2500 VAC, 50 Hz, 1 minute, as per IEC 60947-5-1 between all terminals and earth

Standards: The switches comply with the "Standards for low-voltage switching devices" EN IEC 60947-5-1

Rated insulation voltage U_i : 400 VAC/440 VDC according to IEC 60947-5-1

Contacts: 2 C

Thermal current I_{th} : 10 A

MECHANICAL CHARACTERISTIC

Switching action:

Maintained

Operating force:	6 ... 12 N
Switching system:	Snap-action switching element
Mechanical lifetime:	1 Mio. cycles of operation
Weight:	0.065 kg
Switching system:	1 or 2 self-cleaning snap action switching elements. 1 or 2 double-throw contacts.
Terminal:	Screw terminal
Operating Travel:	ca. 5 mm
Contact material:	Silver
Tightening torque:	Fixing sleeve max. 0.2 Nm, Screw terminal 0.8 Nm

AMBIENT CONDITION

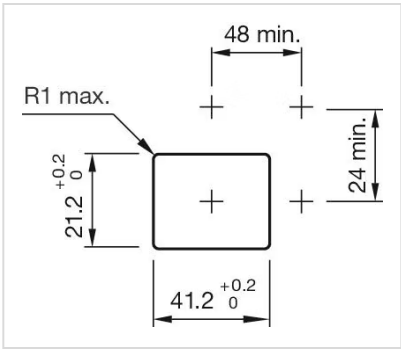
IP Protection:	IP40 front side, IP65 with spray cover, according to IEC 60529
Shock resistance:	15 g for 11 ms, according to IEC 60068-2-27
Vibration resistance:	10 g at 10 Hz...2000 Hz, amplitude 1.0 mm, according to IEC 60068-2-6
Operating temperature:	- 25 °C ... + 55 °C, mounted as a block, make sure the heat can escape freely
Storage temperature:	- 30 °C ... + 85 °C

CERTIFICATE

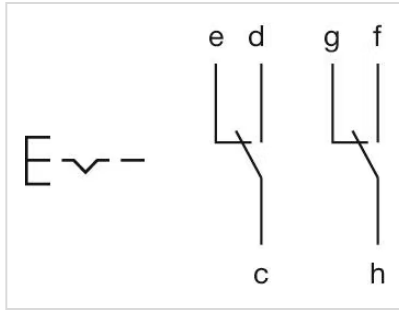
Conformities:	CE, UKCA, 2011 / 65 / EC (RoHS), 2014 / 35 / EU (LVD)
Approbations:	CB (IEC 61058-1), CSA, DNV, UL

OTHER

Housing colour:	Black
Housing material:	Plastic
Short Description:	Actuator, 21.2 mm x 41.2 mm, non illuminative, Black, Plastic, 2 C, Maintained, Screw terminal
Mounting cut-outs:	



Wiring diagrams:



Dimension drawings:

