

# Actuator

02-  
612.011



<https://eao.com/p/02-612.011>

Your product:

---



## 02-612.011 Actuator

### FRONT

**Front bezel material:** Plastic

**Front bezel colour:** Black

### MOUNTING

**Mounting cut-out:** 21.2 mm x 29.2 mm

**Design:** flush

### OPERATING-/INDICATION PART

**Lens illumination:** non illuminative

### ELECTRICAL CHARACTERISTICS

**Contacts:** 2 C

**Switching voltage and switching current:**

according to UL	
250 VAC, 10 A	
according to IEC 60947-5-1	
AC-12: 400 V, 10 A	AC-15: 400 V, 6 A
AC-15: 250 V, 8 A	DC-13: 110 V, 0.4 A
DC-13: 60 V, 1 A	DC-13: 24 V, 3 A

**Standards:** The switches comply with the "Standards for low-voltage switching devices" EN IEC 60947-5-1

**Thermal current I<sub>th</sub>:** 10 A

**Rated insulation voltage U<sub>i</sub>:** 400 VAC/440 VDC according to IEC 60947-5-1

**Electric strength:** 2500 VAC, 50 Hz, 1 minute, as per IEC 60947-5-1 between all terminals and earth

### MECHANICAL CHARACTERISTIC

**Switching system:** 1 or 2 self-cleaning snap action switching elements.

1 or 2 double-throw contacts.

<b>Terminal:</b>	Screw terminal
<b>Weight:</b>	0.05 kg
<b>Operating Travel:</b>	ca. 5 mm
<b>Mechanical lifetime:</b>	2 Mio. cycles of operation
<b>Switching system:</b>	Snap-action switching element
<b>Tightening torque:</b>	Fixing nut max. 0.2 Nm, Screw terminal 0.8 Nm
<b>Operating force:</b>	6 ... 12 N
<b>Switching action:</b>	Momentary
<b>Contact material:</b>	Silver

### **AMBIENT CONDITION**

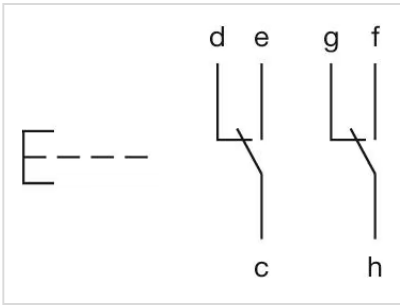
<b>Storage temperature:</b>	- 30 °C ... + 85 °C
<b>IP Protection:</b>	IP40 front side, IP65 with spray cover, according to IEC 60529
<b>Vibration resistance:</b>	10 g at 10 Hz...2000 Hz, amplitude 1.0 mm, according to IEC 60068-2-6
<b>Operating temperature:</b>	- 25 °C ... + 55 °C, mounted as a block, make sure the heat can escape freely
<b>Shock resistance:</b>	15 g for 11 ms, according to IEC 60068-2-27

### **CERTIFICATE**

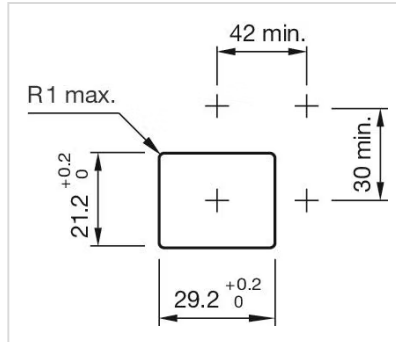
<b>Approbations:</b>	CB (IEC 60947-5-1), CENELEC CCA-NTR (EN 60947-5-1), CSA, DNV, SEV, UL
<b>Conformities:</b>	CE, UKCA, 2011 / 65 / EC (RoHS), 2014 / 35 / EU (LVD)

### **OTHER**

<b>Housing colour:</b>	Black
<b>Short Description:</b>	Actuator, 21.2 mm x 29.2 mm, non illuminative, Black, Plastic, 2 C, Momentary, Screw terminal
<b>Housing material:</b>	Plastic
<b>Wiring diagrams:</b>	



**Mounting cut-outs:**



**Dimension drawings:**

