

**PLEASE CHECK WWW.MOLEX.COM FOR LATEST PART INFORMATION**

**Part Number:** [19427-0109](#)  
**Status:** **Active**  
**Overview:** [MX150L™ Industrial Sealed Connector System](#)  
**Description:** 5.84mm Pitch MX150L™ Right Angle PCB Header, Single Row, without PCB Flange, Gold (Au) Plated, 2 Circuits

**Documents:**

[3D Model](#) [RoHS Certificate of Compliance \(PDF\)](#)  
[Drawing \(PDF\)](#) [Product Literature \(PDF\)](#)  
[Product Specification PS-19427-001 \(PDF\)](#)

**Agency Certification**

UL E152602

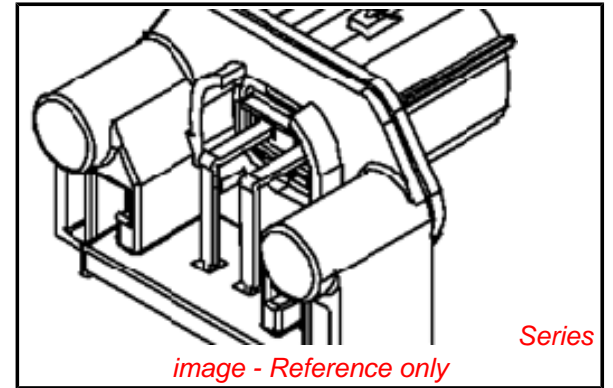
**General**

Product Family PCB Headers  
 Series [19427](#)  
 Application Power, Wire-to-Board  
 Comments IP67 rated; conforms to UL 1977. NOT suitable for automotive applications with requirements such as USCAR-2, USCAR-25, GMW3191, AK Testing, J2030, Volvo Technology Requirements, and Toyota Connector Spec (TCS)  
 Overview [MX150L™ Industrial Sealed Connector System](#)  
 Product Literature Order No 987650-2181  
 Product Name MX150L™  
 UPC 822348736201

**Physical**

Breakaway No  
 Circuits (Loaded) 2  
 Circuits (maximum) 2  
 Durability (mating cycles max) 100  
 Flammability 94V-0  
 Glow-Wire Compliant No  
 Lock to Mating Part Yes  
 Material - Plating Mating Gold  
 Material - Plating Termination Tin  
 Net Weight 19.632/g  
 Number of Rows 1  
 Orientation Right Angle  
 PC Tail Length 3.30mm  
 PCB Locator Yes  
 PCB Retention None  
 PCB Thickness - Recommended 1.60mm  
 Packaging Type Tray  
 Pitch - Mating Interface 5.84mm  
 Polarized to Mating Part Yes  
 Polarized to PCB No  
 Shrouded Fully  
 Stackable No  
 Surface Mount Compatible (SMC) No  
 Temperature Range - Operating -40°C to +125°C  
 Termination Interface: Style Through Hole

**Electrical**



**EU RoHS**

**ELV and RoHS Compliant**  
**REACH SVHC**  
 Not Reviewed  
**Low-Halogen Status**  
 Not Reviewed

**China RoHS**



**Need more information on product environmental compliance?**

Email [productcompliance@molex.com](mailto:productcompliance@molex.com)  
 For a multiple part number RoHS Certificate of Compliance, [click here](#)

Please visit the [Contact Us](#) section for any non-product compliance questions.

**Search Parts in this Series**

[19427Series](#)

**Mates With**

[19418 Receptacle Assemblies](#)

Current - Maximum per Contact  
Voltage - Maximum

18A  
600V

**Material Info**

**Reference - Drawing Numbers**

Product Specification  
Sales Drawing

PS-19427-001  
SD-19427-018

This document was generated on 07/11/2013

**PLEASE CHECK [WWW.MOLEX.COM](http://WWW.MOLEX.COM) FOR LATEST PART INFORMATION**