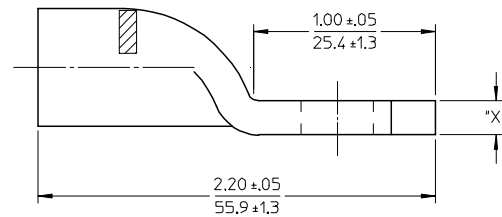
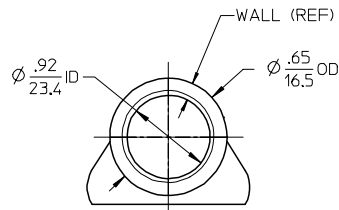
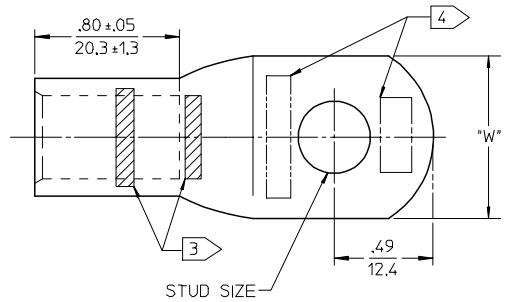


CABLE GAUGE	COLOR CODE	WALL THICKNESS (B)	"X" DIMENSION (B)	MATERIAL NUMBER				(B) "W" ±.03(0,8)			
				STUD SIZE				1/4"	5/16"	3/8"	1/2"
				1/4"	5/16"	3/8"	1/2"				
8	GREY	.095(2,41)	.19(4,83)	I922 I0064	I922 I0065	I922 I0066	-----	.56(14,2)	.71(18,0)	.71(18,0)	-----
6	GREY	.065(1,65)	.13(3,30)	I922 I0059	I922 I0060	I922 I0061	-----	.55(14,0)	.76(19,3)	.74(18,8)	-----
4	GREY	.065(1,65)	.13(3,30)	I922 I0055	I922 I0056	I922 I0057	I922 I0058	.57(14,5)	.75(19,1)	.75(19,1)	.75(19,1)
1 & 2	PINK	.085(2,16)	.17(4,32)	I922 I0043	I922 I0044	I922 I0045	I922 I0048	.80(20,3)	.80(20,3)	.80(20,3)	.80(20,3)
1/0	BLACK	.095(2,41)	.17(4,32)	I922 I0069	I922 I0070	I922 I0071	I922 I0072	.87(22,1)	.88(22,4)	.87(22,1)	.88(22,4)
2/0	ORANGE	.078(1,98)	.16(4,06)	I922 I0077	I922 I0078	I922 I0079	I922 I0080	.93(23,6)	.93(23,6)	.93(23,6)	.93(23,6)
3/0	PURPLE	.100(2,54)	.20(5,10)	I922 I0085	I922 I0086	I922 I0087	I922 I0088	1,06(26,9)	1,06(26,9)	1,06(26,9)	1,06(26,9)
4/0	YELLOW	.110(2,79)	.22(5,59)	I922 I0093	I922 I0094	I922 I0095	I922 I0096	1,14(29,0)	1,14(29,0)	1,14(29,0)	1,14(29,0)



SALES DRAWING

NOTE(S):

1. MATERIAL: COPPER.
2. FINISH: TIN PLATED.
- (B) 3 TERMINALS COLOR MATCHED WITH CABLE AND CRIMP DIES.
- (B) 4 COLOR CODE, LETTER CODE AND CABLE SIZE STAMPED LOCATION.

FIXED DIMENSIONS EC NO: ETC2005-0098 DRAWN BY: DMYRICK 2004/12/13 CHECKED BY: RDEROSS 2004/12/13 APPROVED BY: RDEROSS 2004/12/13 REV DESCRIPTION	QUALITY SYMBOLS	GENERAL TOLERANCES (UNLESS SPECIFIED)	DIMENSION STYLE IN/MM	SCALE	DESIGN UNITS INCH	THIRD ANGLE PROJECTION	
	$\nabla=0$ $\nabla=0$	mm INCH 4 PLACES ± --- ± --- 3 PLACES ± --- ± .015 2 PLACES ± 0.38 ± .03 1 PLACE ± 0.76 ± --- ANGULAR ±1/2°	DRAWN BY: DMYRICK DATE: 04/12/10 CHECKED BY: RDEROSS DATE: 04/12/10 APPROVED BY: RDEROSS DATE: 04/12/10	TITLE	MAGNALUG BATTERY TERMINAL		
	DRAFT WHERE APPLICABLE MUST REMAIN WITHIN DIMENSIONS			MATERIAL NO.	DOCUMENT NO.	SHEET NO. 1 OF 1	
	SEE CHART			MOLEX INCORPORATED			