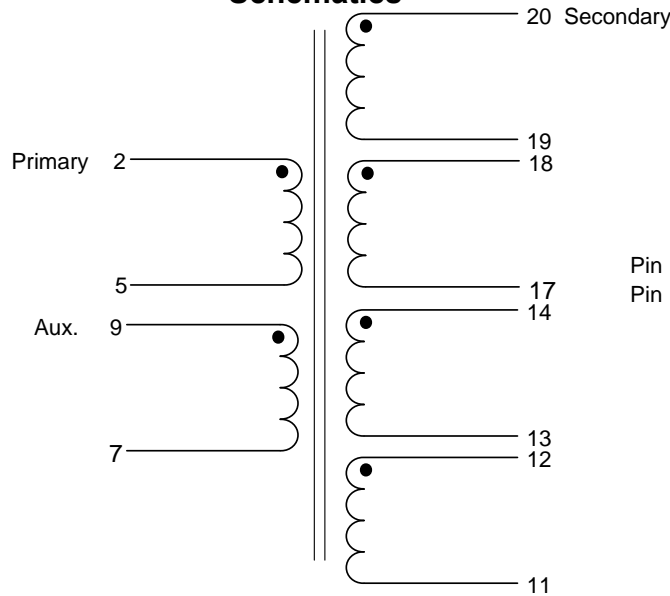




- International Rectifier® AN1160
- Half Bridge LLC Transformer using IRS2795

| Electrical Specifications at +20°C unless noted otherwise |             |   |
|---|-------------|---|
| Parameters  | Value       | Notes   |
| Inductance (µH)   | 526.5-643.5 | 2-5 @ 0.25V, 1kHz,                                    |
| Leakage Inductance (µH)                                   | 119.7-146.3 | 2-5 tie 11+12+13+14+17+18+19+20 @ 0.25V, 1kHz         |
| DC Resistance (Ω)   | 0.1 Max.    | 2-5   |
| DC Resistance (Ω)   | 0.0065 Max. | 20-19   |
| DC Resistance (Ω)   | 0.005 Max.  | 12-11   |
| DC Resistance (Ω)   | 0.004 Max.  | 14-13   |
| DC Resistance (Ω)   | 0.23 Max.   | 9-7   |
| Dielectric (VAC)  | 1500        | (2+5+7+9) - (11+12+13+14+17+18+19+20) @ 1mA, 60Hz, 1s |

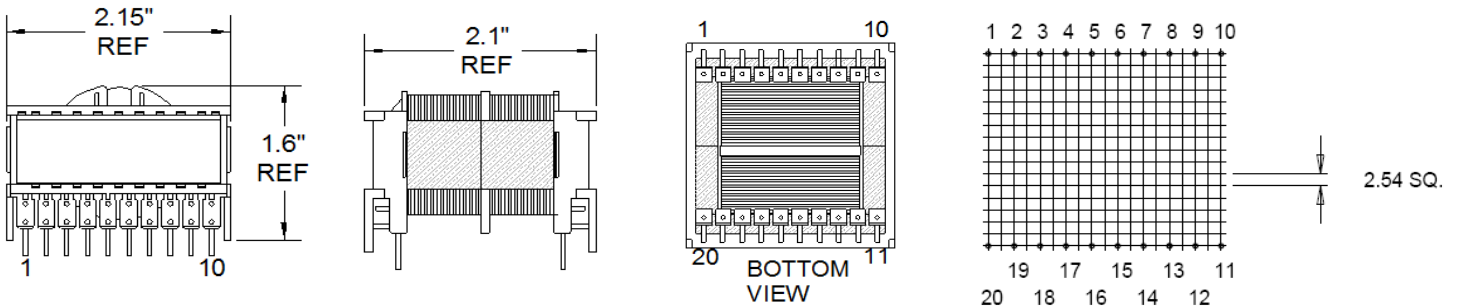
Schematics



Pin 12 and 13 are shorted on the PCB.  
Pin 18 and 19 are shorted on the PCB.



Mechanicals



Specifications subject to change without notice.  
Dimensions are in inches, metric in [ ].  
Label shown is only for illustrative purposes only.

