

IEC Appliance Inlet C16, Snap-in Mounting, Front Side, Quick-connect Terminal



Snap-In Version

C16



120° C

**Description**

- Panel Mount:
Snap-in version, Frontside
- Appliance Inlet, Pin temperature 120 °C, Protection class I
- Quick connect terminals

Approvals

- VDE License Number: 40009508
- UL License Number: E45115
- CSA License Number: 27324

References

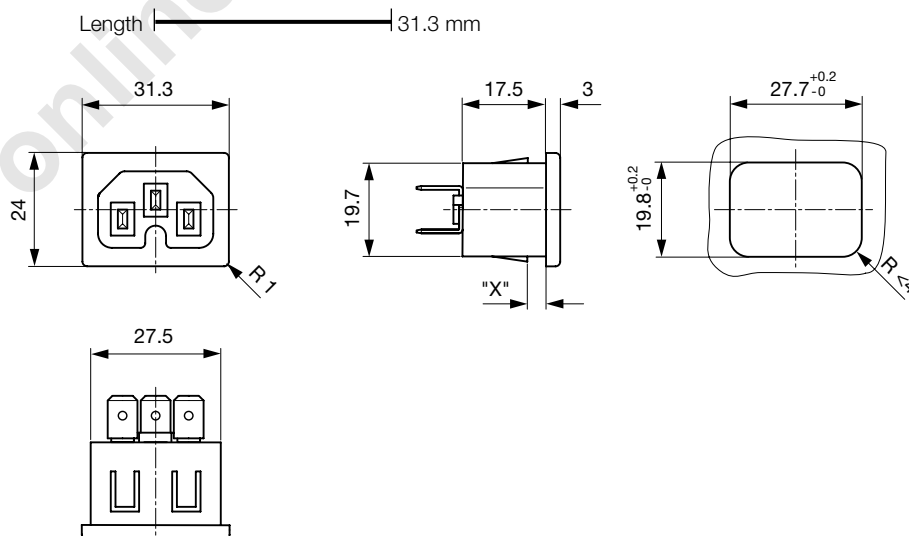
[General Product Information](#)

Weblinks

[Approvals](#), [RoHS](#), [CHINA-RoHS](#), [Mating Connectors](#), [e-Store](#), [SCHURTER-Stock-Check](#), [Distributor-Stock-Check](#), [Product Configurator](#)

Technical Data

Ratings IEC	10 A / 250 VAC; 50 Hz	Appliance Inlet	C16 acc. to IEC/EN 60320-1
Ratings UL/CSA	15 A / 250 VAC; 60 Hz		UL 498, CSA C22.2 no. 42 (For hot conditions) pin-temperature 120 °C, 10A, Protection Class 1
Dielectric Strength	> 3 kVAC between L-N > 1.5 kVAC between L/N-PE (1 min/50 Hz)		
Allowable Operation Temp.	-25 °C to 120 °C		
Degree of Protection	from front side IP 20 acc. to IEC 60529		
Protection Class	Suitable for appliances with protection class 1 acc. to IEC 61140		
Panel Thickness s	Snap-in version 1/ 1.5/ 2/ 2.5/ 3/ 4 mm		
Material: Housing	black or grey		

Dimensions

Dimension "X" please ref. to table order code

Konfigurationsschlüssel

Product Configurator

0165 - H - A B C 0 - D - E G

The characters are placeholders for the correspondingly keys of selections from the key tables.

0165 - H - A B C 0 - D - E G = Type

Type	Configuration key
protection class 1	X

0165 - H - A B C 0 - D - E G = Terminals

Terminal L	Configuration key
blade terminal (4,8x0,8mm)	8
blade terminal (6,3x0,8mm)	9



0165 - H - A B C 0 - D - E G = Terminals

Terminal N	Configuration key
blade terminal (4,8x0,8mm)	8
blade terminal (6,3x0,8mm)	9

Symbols similar as in table A

0165 - H - A B C 0 - D - E G = Terminals

Terminal Ground	Configuration key
blade terminal (4,8x0,8mm)	8
blade terminal (6,3x0,8mm)	9

Symbols similar as in table A

0165 - H - A B C 0 - D - E G = Color

Color	Configuration key
jet black; RAL9005	A
light grey; RAL7035	C
standard color: black	

0165 - H - A B C 0 - D - E G = Style

Style	Configuration key
snap-in (x=panel thickness)	4

0165 - H - A B C 0 - D - E G = Dimension X

Dimension "X"	Configuration key
10	
15	
20	
25	
30	
40	

The dimension "X" is displayed in ($1/_{10}$ mm). This information is also valid for the order code

Packaging unit 50 Pcs

Mating Outlets/Connectors

Category / Description

Connector Overview complete



IEC Connector C15, Rewireable, Straight	0101
IEC Connector C15A, Rewireable, Straight	0102
IEC Connector C15A, Rewireable, Straight	0102-G
IEC Connector C15A, Rewireable, Angled	0112
IEC Connector C15, Rewireable, Straight	4781

Connector further types to 0165

...

Power Cord Overview complete



Power Cord with IEC Connector C15, Straight, 120°C	3366
Power Cord with IEC Connector C15, Angled, 120°C	3368

Power Cord further types to 0165