

IEC Appliance Inlet C16, Screw-on Mounting, Front or Rear Side, Quick-connect or Screw-on Terminal

new



C16



120° C

**Description**

- Panel Mount:  
Screw-on mounting, front or rear-side
- Appliance Inlet, Pin temperature 120 °C, Protection class I

**Approvals**

- VDE License Number: 40009508
- UL License Number: E45115
- CSA License Number: 27324

**References**

[General Product Information](#)

**Weblinks**

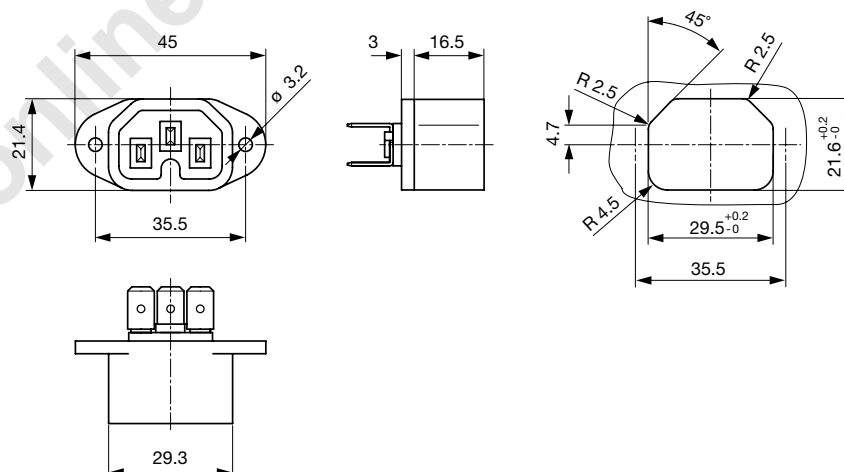
[Approvals](#), [RoHS](#), [CHINA-RoHS](#), [Mating Connectors](#), [e-Store](#), [SCHURTER-Stock-Check](#), [Distributor-Stock-Check](#), [Product Configurator](#)

**Technical Data**

Ratings IEC	10A / 250VAC; 50Hz	Appliance Inlet	C16 acc. to IEC/EN 60320-1
Ratings UL/CSA	15A / 250VAC; 60Hz		UL 498, CSA C22.2 no. 42 (For hot conditions) pin-temperature 120 °C, 10A, Protection Class 1
Dielectric Strength	> 3kVAC between L-N > 1.5kVAC between L/N-PE (1 min/50Hz)		
Allowable Operation Temp.	-25 °C to 120 °C		
Degree of Protection	from front side IP 20 acc. to IEC 60529		
Protection Class	Suitable for appliances with protection class 1 acc. to IEC 61140		
Material: Housing	black or grey, UL 94V-0		

**Dimensions**

Length |-----| 45 mm



length of the terminal please find at the order code configuration table

## Konfigurationsschlüssel

Product Configurator

0163 - H - A B C 0 - D - E

The characters are placeholders for the correspondingly keys of selections from the key tables.

0163 - H - A B C 0 - D - E = Type

Type	Configuration key
protection class 1	X

0163 - H - A B C 0 - D - E = Terminals

Terminal L	Configuration key
blade terminal (4,8x0,8mm)	8
blade terminal (6,3x0,8mm)	9
screw terminal	A



0163 - H - A B C 0 - D - E = Terminals

Terminal N	Configuration key
blade terminal (4,8x0,8mm)	8
blade terminal (6,3x0,8mm)	9
screw terminal	A

Symbols similar as in table A

0163 - H - A B C 0 - D - E = Terminals

Terminal Ground	Configuration key
blade terminal (4,8x0,8mm)	8
blade terminal (6,3x0,8mm)	9
screw terminal	A

Symbols similar as in table A

0163 - H - A B C 0 - D - E = Color

Color	Configuration key
jet black; RAL9005	A
light grey; RAL7035	C
standard color: black	

0163 - H - A B C 0 - D - E = Style

Style	Configuration key
flange with through holes	2

## Variants

Distributor-Stock-Check | SCHURTER-Stock-Check | e-Store

	Description	Order Number
0163-X-8880-A-2	0163, IEC Appliance Inlet C16, 120°C, version: I, L: blade terminal (4,8x0,8mm), N: blade terminal (4,8x0,8mm), ground: blade terminal (4,8x0,8mm), color: jet black; RAL9005, design: flange with through holes, dimension X:	6167.0005
0163-X-9990-A-2	0163, IEC Appliance Inlet C16, 120°C, version: I, L: blade terminal (6,3x0,8mm), N: blade terminal (6,3x0,8mm), ground: blade terminal (6,3x0,8mm), color: jet black; RAL9005, design: flange with through holes, dimension X:	6167.0006

The listed variants should be available from stock. Other versions on request [www.schurter.com/contact](http://www.schurter.com/contact)

## Packaging unit

50 Pcs

## Mating Outlets/Connectors

## Category / Description

[Connector Overview complete](#)

IEC Connector C15, Rewireable, Straight	0101
IEC Connector C15A, Rewireable, Straight	0102
IEC Connector C15A, Rewireable, Straight	0102-G
IEC Connector C15A, Rewireable, Angled	0112
IEC Connector C15, Rewireable, Straight	4781

[Connector further types to 0163](#)

...

[Power Cord Overview complete](#)

Power Cord with IEC Connector C15, Straight, 120°C	3366
Power Cord with IEC Connector C15, Angled, 120°C	3368

[Power Cord further types to 0163](#)