

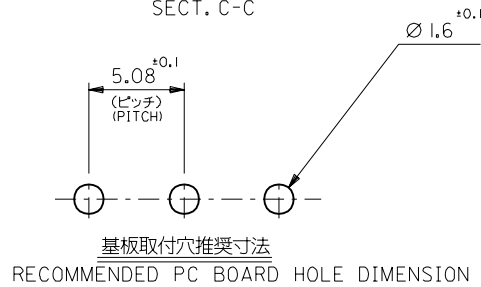
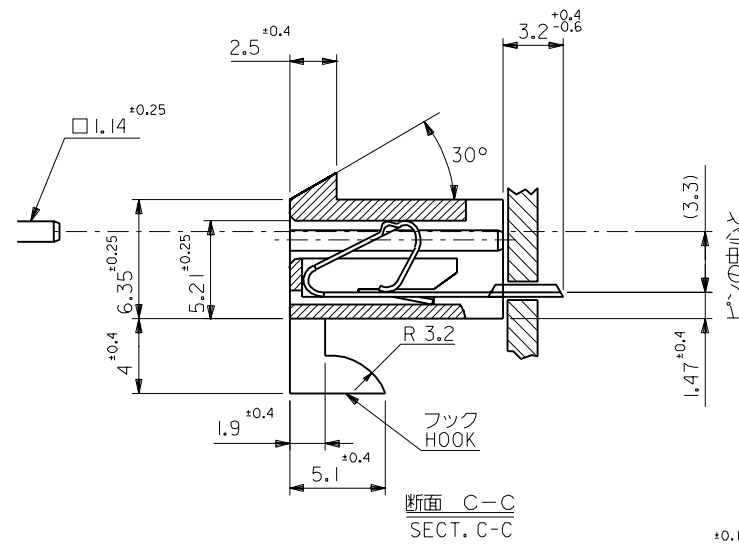
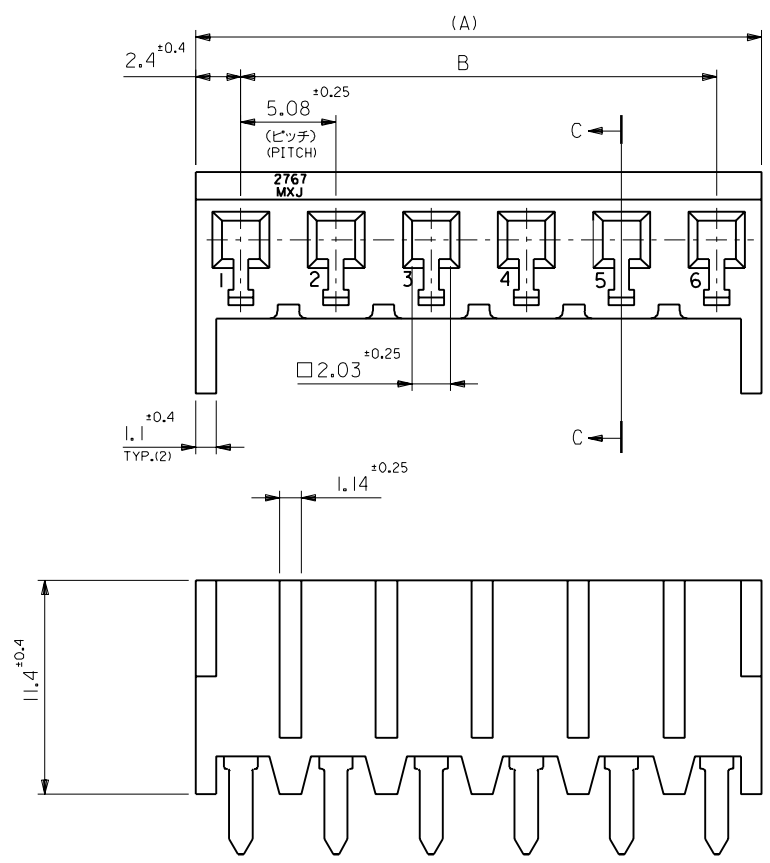
ピンの中心と  
テール中心間の距離  
DIMENSION FROM  
CENTER OF PIN TO CENTER OF TAIL

注記 NOTES

- 材質 MATERIAL  
ハウジング : NYLON66 , 94V-2  
HOUSING : NYLON66 , 94V-2  
ターミナル : 黄銅・銅下付銀メッキ  
TERMINAL : BRASS・TIN OVER COPPER PLATING
- ( )内寸法は参考値  
( ) DIMENSION IS FOR REFERENCE

REVISED EC NO: J2007-1265 DRW: NICHIRAWATA 2006/10/31 CHK: KATOYODA 2006/11/01 APP: NUKITA 2006/11/01	GENERAL TOLERANCES (UNLESS SPECIFIED)		DIMENSION STYLE MM ONLY		SCALE 4:1	DESIGN UNITS METRIC	THIRD ANGLE PROJECTION	
	10 UNDER	± ---	DRAWN BY H. IJIMA	DATE 1996/05/23	TITLE KK5.08 REC HSG ASSY			
	10 OVER 30 UNDER	± ---	CHECKED BY M. FUKUSHIMA	DATE 1996/05/23	MATERIAL NO.			
	30 OVER	± ---	APPROVED BY M. ENOMOTO	DATE 1996/05/23	DOCUMENT NO. SD-2767-NCH			
ANGULAR ± --- °		DRAFT WHERE APPLICABLE MUST REMAIN WITHIN DIMENSIONS		SIZE A3		SEE CHART		SHEET NO. 1 OF 1

25.4 <sup>+0.2</sup>	30.2	10-05-1067	2767-6CH	6
20.32 <sup>+0.2</sup>	25.12	10-05-1057	2767-5CH	5
15.24 <sup>+0.15</sup>	20.04	10-05-1047	2767-4CH	4
10.16 <sup>+0.15</sup>	14.96	10-05-1037	2767-3CH	3
5.08 <sup>+0.15</sup>	9.88	10-05-1027	2767-2CH	2
B	(A)	EDP.NO.	ENG.NO.	NO. OF CKTS



ピンの中心と  
テール中心間の距離  
DIMENSION FROM  
CENTER OF PIN TO  
CENTER OF TAIL

注：( ) 内寸法は参考値  
NOTE: ( ) DIMENSION IS FOR REFERENCE

25.4 <sup>+0.2</sup>	30.2	10-05-1067	2767-6CH	6
20.32 <sup>+0.2</sup>	25.12	10-05-1057	2767-5CH	5
15.24 <sup>+0.15</sup>	20.04	10-05-1047	2767-4CH	4
10.16 <sup>+0.15</sup>	14.96	10-05-1037	2767-3CH	3
5.08 <sup>+0.15</sup>	9.88	10-05-1027	2767-2CH	2
B	(A)	EDP.NO.	ENG.NO.	NO. OF CKTS

角度 ANGLE	±3°			
30 以上 OVER	+0.3			
10 以上 30 未満 OVER UNDER	+0.25			
10 未満 UNDER	+0.2			
一般公差 GENERAL TOLERANCES				
記号 LTR	変更内容 REVISION RECORD	DR. CHK.	日付 DATE	
	再作図 REDRAWN (JC70307)	H.I. M.F.	96/05/23	

材料 ハウジング: NYLON6,94V-2  
MATERIAL HOUSING: NYLON6,94V-2  
ターミナル: 鍍銀, 銅下付銅メッキ  
TERMINAL: BRASS, TIN OVER COPPER PLATING  
仕上げ FINISH --  
適用電線範囲 WIRE RANGE --  
被覆外径 INS. RANGE --  
DRAWN BY '96/05/23 H.IIJIMA  
CHK'D BY '96/05/23 M.FUKUSHIMA  
APP'D BY '96/05/23 M.ENOMOTO  
尺度 SCALE 4 : 1

**molex** MOLEX-JAPAN CO.,LTD.  
日本モレックス株式会社

REVISE ONLY ON CAD SYSTEM

TITLE 名称  
KK 5.08 RECEPTACLE HSG.ASS'Y

DWG. NO. SD-2767-NCH  
REV C