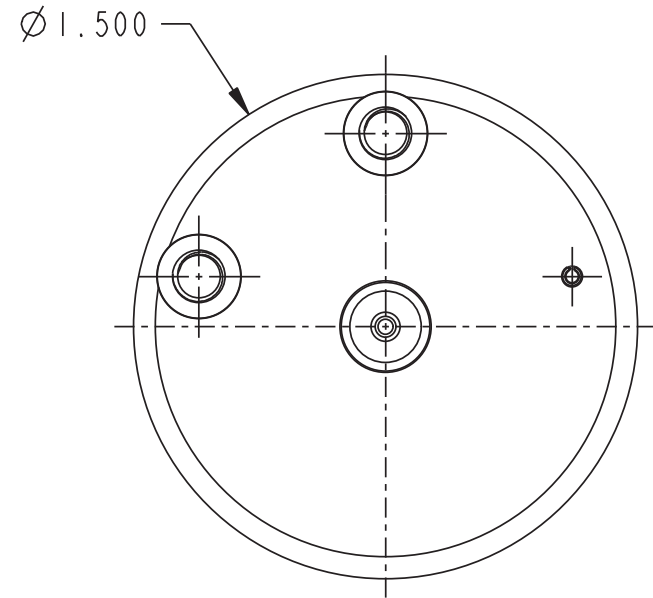
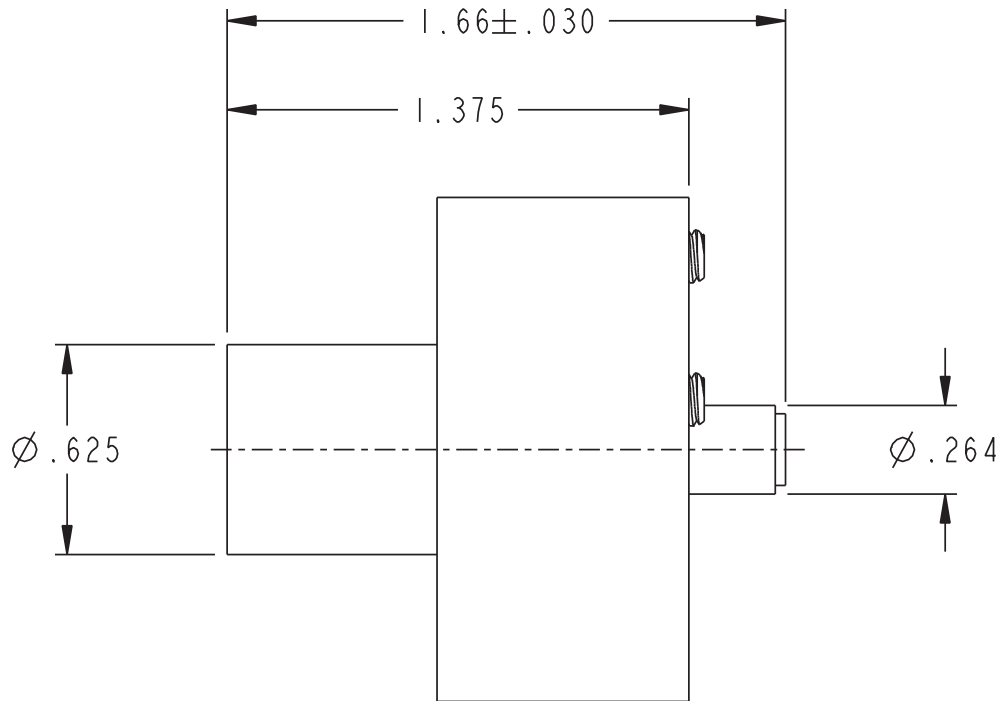
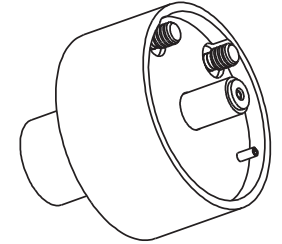


DATA CONTAINED IN THIS DOCUMENT IS PROPRIETARY TO EMERSON CONNECTIVITY SOLUTIONS AND SHALL NOT BE DISCLOSED, COPIED OR USED FOR PROCUREMENT OR MANUFACTURE WITHOUT EXPRESS WRITTEN PERMISSION

REVISIONS

REV	DESCRIPTIONS	DATE	APPROVED
D	ECO 53433	6/28/11	B. RYAN



INTERPRET DRAWING PER MIL-STD-100. DIMENSIONS ARE IN INCHES AND INCLUDE FINISH THICKNESS UNLESS OTHERWISE SPECIFIED.		TOL: UNLESS SPECIFIED. .XX ± .02 .XXX ± .010 ANGLE ± 1°		Connectivity Solutions 299 Johnson Ave. Ste. 100 Waseca, MN 56093 1-800-247-8256	
DRN C. WALLACE	7/16/11	MATERIAL:		TITLE: POSITIONER, PIN CONTACT, 70 SERIES FULL CRIMP, MALE (M22520/1-01)	
CHK B. RYAN	7/18/11	FINISH:		SIZE A	CAGE CODE 14949
QUALITY				DRAWING NO. 010-0044	REV. D
MANUF				SCALE 2/1	DATE 11/24/86
APPROVED		DO NOT SCALE DWG		SHEET 1 OF 3	
SURFACE AREA	PROJE FILE NO. 010-0044				

1. FINISH: BODY: CLEAR ANODIZE
LOCATOR: SILICONE PROTECTANT

NOTES: UNLESS OTHERWISE SPECIFIED.