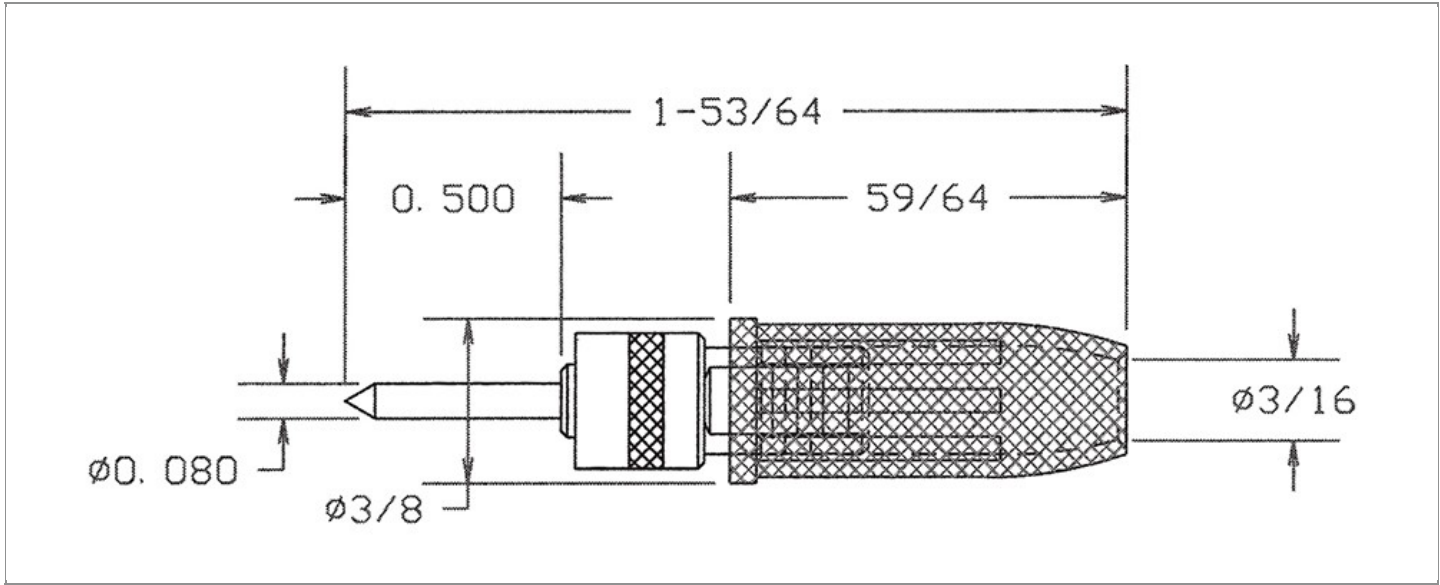


DRAWING NUMBER:	01-2132-1-XXXX
PRODUCT GROUP:	BANANA PLUGS, JACKS AND PHONE TIPS
SUB-GROUP:	INSULATED PHONE TIPS
DESCRIPTION:	INSULATED SHORT HANDLE PHONE TIP PLUG, SOLDERLESS TYPE



ACCEPTS PIN / PLUG / JACK SIZE	OVERALL LENGTH	PIN DIAMETER
STANDARD PHONE TIP JACK	1.828"	0.080"

PART NO. STRUCTURE:

01-2132	-	1	-	XX	XX
PART SERIES		DIMENSION		FINISH	INSULATION COLOR

MATERIAL OPTIONS:

01-2132-1-XXXX

COMPONENT	MATERIAL	MATERIAL AND SPECIFICATION
BODY	BRASS	BRASS PER ASTM B16, ALLOY C36000, 1/2 HARD
INSULATION*	NYLON	NYLON PER ASTM D4066

*For Insulation color, please see INSULATION COLOR OPTIONS on Page 2

FINISH - PLATING OPTIONS:

01-2132-1-XXXX

FINISH CODE	COMPONENT	FINISH	FINISH AND SPECIFICATION
02	BODY	NICKEL	0.000100"MIN. NICKEL PER SAE-AMS-QQ-N-290

INSULATION COLOR OPTIONS:

01-2132-1-XX **XX**

INSULATION COLOR	BLACK	BLUE	BROWN	GRAY	GREEN	ORANGE	RED	VIOLET	WHITE	YELLOW
COLOR CODE NO.	10	16	11	18	15	13	12	17	19	14

TOLERANCES:*

DECIMAL	FRACTIONAL	ANGULAR	DRAWING ORIGINATION DATE	LAST MODIFICATION DATE
± 0.010	± 1/64	± 5 °	5/15/1998	4/1/2017

*All dimensions are in inches.

RoHS COMPLIANCE:

01-2132-1-02XX

PART NUMBER	RoHS COMPLIANT
01-2132-1-0210	YES
01-2132-1-0211	YES
01-2132-1-0212	YES
01-2132-1-0213	YES
01-2132-1-0214	YES
01-2132-1-0215	YES
01-2132-1-0216	YES
01-2132-1-0217	YES
01-2132-1-0218	YES
01-2132-1-0219	YES

NOTES:

DATASHEET NOTES

RATED: 12 AMPERES CONTINUOUS DUTY. SOLDERLESS TYPE. FOR STANDARD PHONE TIP JACKS.

INSTRUCTION NOTES

WIRE IS INSERTED THRU REAR AND CROSS HOLES IN PLUG BODY AND THEN WRAPPED AROUND THREADED PORTION. THREADED COLLAR TIGHTENS DOWN WIRE.