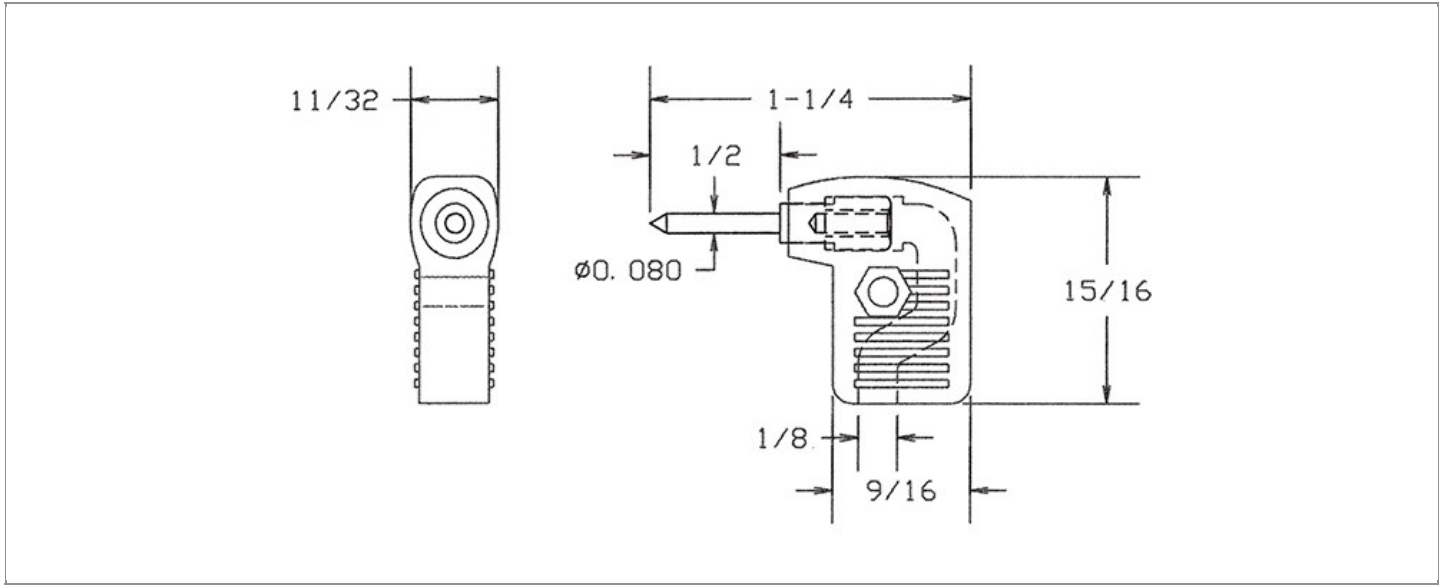


| | |
|------------------------|--|
| DRAWING NUMBER: | 01-2125-1-XXXX |
| PRODUCT GROUP: | BANANA PLUGS, JACKS AND PHONE TIPS |
| SUB-GROUP: | INSULATED PHONE TIPS |
| DESCRIPTION: | INSULATED RIGHT ANGLE METER PHONE TIP PLUG |



| ACCEPTS PIN / PLUG / JACK SIZE | OVERALL LENGTH | PIN DIAMETER |
|-----------------------------------|----------------|--------------|
| STANDARD PHONE TIP JACK | 1.250" | 0.080" |

PART NO. STRUCTURE:

| | | | | | |
|-------------|---|-----------|---|--------|------------------|
| 01-2125 | - | 1 | - | XX | XX |
| PART SERIES | | DIMENSION | | FINISH | INSULATION COLOR |

MATERIAL OPTIONS:

01-2125-1-XXXX

| COMPONENT | MATERIAL | MATERIAL AND SPECIFICATION |
|-------------|----------|--|
| BODY | BRASS | BRASS PER ASTM B16, ALLOY C36000, 1/2 HARD |
| INSULATION* | BUTYRATE | BUTYRATE PER ASTM D707 |

*For Insulation color, please see INSULATION COLOR OPTIONS on Page 2

FINISH - PLATING OPTIONS:

01-2125-1-**XX**XX

| FINISH CODE | COMPONENT | FINISH | FINISH AND SPECIFICATION |
|-------------|-----------|--------|---|
| 02 | BODY | NICKEL | 0.000100"MIN. NICKEL PER SAE-AMS-QQ-N-290 |

INSULATION COLOR OPTIONS:

01-2125-1-XX **XX**

| INSULATION COLOR | BLACK | BROWN | RED | ORANGE | YELLOW | GREEN | BLUE | VIOLET | GRAY | WHITE |
|------------------|-------|-------|-----|--------|--------|-------|------|--------|------|-------|
| COLOR CODE NO. | 10 | 11 | 12 | 13 | 14 | 15 | 16 | 17 | 18 | 19 |

TOLERANCES:*

| DECIMAL | FRACTIONAL | ANGULAR | DRAWING ORIGINATION DATE | LAST MODIFICATION DATE |
|---------|------------|---------|--------------------------|------------------------|
| ± 0.010 | ± 1/64 | ± 5° | 8/26/1998 | 4/1/2017 |

*All dimensions are in inches.

RoHS COMPLIANCE:

01-2125-1-02XX

| PART NUMBER | RoHS COMPLIANT |
|----------------|----------------|
| 01-2125-1-0210 | YES |
| 01-2125-1-0211 | YES |
| 01-2125-1-0212 | YES |
| 01-2125-1-0213 | YES |
| 01-2125-1-0214 | YES |
| 01-2125-1-0215 | YES |
| 01-2125-1-0216 | YES |
| 01-2125-1-0217 | YES |
| 01-2125-1-0218 | YES |
| 01-2125-1-0219 | YES |

NOTES:

| |
|---|
| <p>DATASHEET NOTES</p> <p>RATED: 12 AMPERES CONTINUOUS DUTY. FOR STANDARD PHONE TIP JACKS. NUT PART NUMBER: 701-7355. SCREW PART NUMBER: 701-7110.</p> |
| <p>INSTRUCTION NOTES</p> <p>SUPPLIED WITH NICKEL PLATED STEEL HEX NUT (3-48 x 3/16" x 1/16") AND NICKEL PLATED STEEL SCREW (3-48 x 1/4").</p> |