



MODEL 409AC

Autoclavable Skin / Surface Probe

- FDA cleared under 510(k) K962070
- 400 series nominal resistance response curve
- Withstands 50 autoclave cycles to 134°C
- 2252.4 Ohm resistance @ 25°C (including lead wire resistance)
- Interchangeable $\pm 0.1^\circ\text{C}$, 25°C to 45°C
- Gold plated $\frac{1}{4}$ " phone plug connector

400-series autoclavable skin / surface temperature probe

FEATURES

- Fast response through surface contact area
- Standard 400 series resistance response
- Gold plated $\frac{1}{4}$ " phone plug connector
- Reuse after cleaning

APPLICATIONS

- Continuous patient monitoring
- Surface temperature measurement

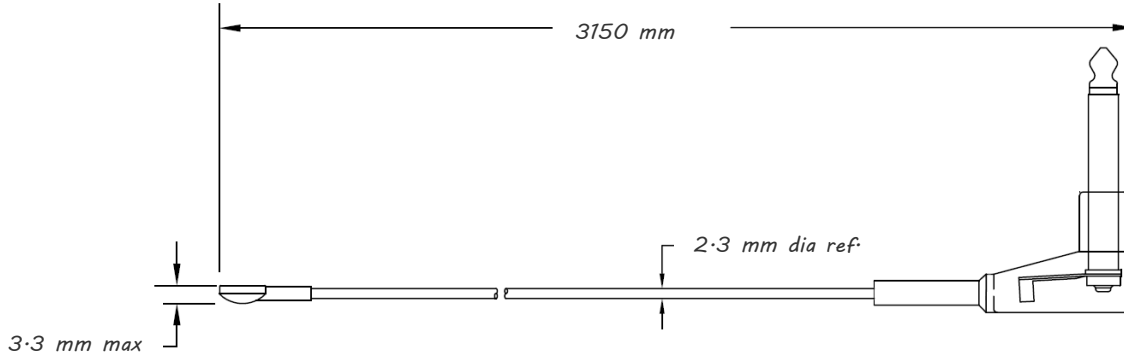
MODEL 409AC

Autoclavable Skin / Surface Probe

PERFORMANCE SPECS

Parameter	Units	Value
Resistance @ 25°C (including lead resistance)	Ohms	2252.4
Tolerance 25°C to 45°C	°C	± 0.1
Recommended equilibration time before measurement	Minutes	> 3
Insulation Resistance (500 VAC for 1 Sec.)	Mega Ohms	> 100

MECHANICAL DETAILS



RESISTANCE V TEMPERATURE

Temp °C	K-Ohms	Temp °C	K-Ohms
25	2.2524	36	1.4124
26	2.1564	37	1.3554
27	2.0644	38	1.3014
28	1.9774	39	1.2494
29	1.8944	40	1.2004
30	1.8154	41	1.1524
31	1.7394	42	1.1074
32	1.6674	43	1.0644
33	1.5994	44	1.0234
34	1.5334	45	0.9842
35	1.4714		

MODEL 409AC

Autoclavable Skin / Surface Probe

ORDERING INFORMATION

Part Number	Description	Ω @25°C
008409	409AC TEMP PROBE,AUTOCLAVABLE	2252.4

NORTH AMERICA

Measurement Specialties, Inc.,
a TE Connectivity Company
1711 139th Lane NW
Andover, MN 55304
Tel: +1 763 689 4870
Fax: +1 763 689 5033
Email: customercare.ando@te.com

te.com/sensorsolutions

Measurement Specialties, Inc., a TE Connectivity company.

Measurement Specialties (MEAS), American Sensor Technologies (AST), TE Connectivity, TE Connectivity (logo) and EVERY CONNECTION COUNTS are trademarks. All other logos, products and/or company names referred to herein might be trademarks of their respective owners.

The information given herein, including drawings, illustrations and schematics which are intended for illustration purposes only, is believed to be reliable. However, TE Connectivity makes no warranties as to its accuracy or completeness and disclaims any liability in connection with its use. TE Connectivity's obligations shall only be as set forth in TE Connectivity's Standard Terms and Conditions of Sale for this product and in no case will TE Connectivity be liable for any incidental, indirect or consequential damages arising out of the sale, resale, use or misuse of the product. Users of TE Connectivity products should make their own evaluation to determine the suitability of each such product for the specific application.

© 2016 TE Connectivity Ltd. family of companies All Rights Reserved.