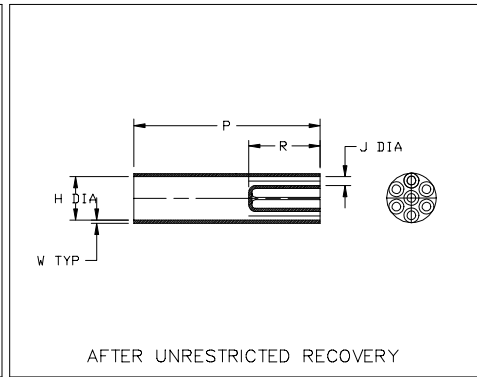
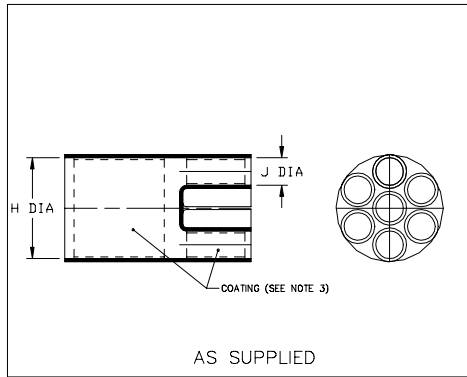


Molded Parts Specification Control Drawing

Part Number : 803A155
Description : Transition, 8 Entry

NOTES

- All dimensions are in $\frac{\text{inches}}{\text{[millimeters]}}$
- Dimensions appearing in table are as follows:
 - a - As Supplied
 - b - After Unrestricted Recovery
- Coating is optional. As supplied dimensions appearing in table are for uncoated parts. When coating is added, entry diameters will be reduced by .06 max.



PART NUMBER	H		J		P ±10% b	R Min b	W ±20% b
	Min	Max	Min	Max			
	a	b	a	b			
803A155	2.39 [60,7]	1.45 [36,8]	.80 [20,3]	.30 [7,6]	6.00 [152,4]	1.70 [43,2]	.10 [2,5]

**If this document is printed it becomes uncontrolled.
Check with the web for latest revision.**



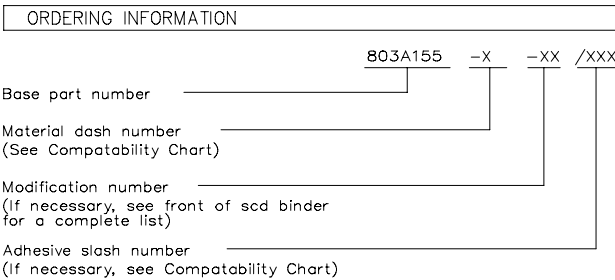
Revision : A
Date : 3/6/01

Part Number : 803A155
Description : Transition, 8 Entry

Molded Parts Specification Control Drawing

Part Number : 703A155
Description : Transition, 7 Entry

MATERIAL DASH NO.	MATERIAL DESCRIPTION	RT SPEC	COATING SLASH NO.	COATING S NO.	COATING DESCRIPTION
-3	Polyolefin, Semi-Rigid	RT-301	/42,/86	S-1017,S-1048	Adhesive
-4	Polyolefin Flexible	RT-1304	/42,/86	S-1017,S-1048	Adhesive



THIS DRAWING IS SUBJECT TO CHANGE WITHOUT NOTICE; CONSULT YOUR NEAREST FIELD REPRESENTATIVE FOR CURRENT REVISION



Revision : A
Date : 3/6/01

Part Number : 803A155
Description : Transition, 8 Entry