

**PLEASE CHECK WWW.MOLEX.COM FOR LATEST PART INFORMATION**

**Part Number:** [03-06-7061](#)  
**Status:** **Active**  
**Overview:** Standard .062"  
**Description:** 1.57mm Diameter Standard .062" Pin and Socket Plug Housing, 6 Circuits, without Mounting Ears, Black

**Documents:**

[3D Model](#) [Packaging Specification PK-1625-003 \(PDF\)](#)  
[Drawing \(PDF\)](#) [RoHS Certificate of Compliance \(PDF\)](#)  
[Product Specification PS-02-06 \(PDF\)](#)

**Agency Certification**

|     |           |
|-----|-----------|
| CSA | LR19980   |
| TUV | R72081037 |
| UL  | E29179    |

**General**

|                |                                |
|----------------|--------------------------------|
| Product Family | Crimp Housings                 |
| Series         | <a href="#">1625</a>           |
| Application    | Power, Wire-to-Wire            |
| Comments       | Polarized to Mating Part       |
| Overview       | <a href="#">Standard .062"</a> |
| Product Name   | Standard .062"                 |
| UPC            | 800753816435                   |

**Physical**

|                               |                 |
|-------------------------------|-----------------|
| Breakaway                     | No              |
| Circuits (maximum)            | 6               |
| Circuits Detail               | 2x3             |
| Color - Resin                 | Natural         |
| Flammability                  | 94V-2           |
| Gender                        | Plug            |
| Glow-Wire Compliant           | No              |
| Keying to Mating Part         | None            |
| Lock to Mating Part           | Yes             |
| Material - Resin              | Nylon           |
| Net Weight                    | 1.442/g         |
| Number of Rows                | 3               |
| Packaging Type                | Bag             |
| Panel Mount                   | No              |
| Pitch - Mating Interface      | 3.68mm          |
| Pitch - Termination Interface | 3.68mm          |
| Polarized to Mating Part      | Yes             |
| Ports                         | 1               |
| Stackable                     | No              |
| Temperature Range - Operating | -40°C to +105°C |

**Electrical**

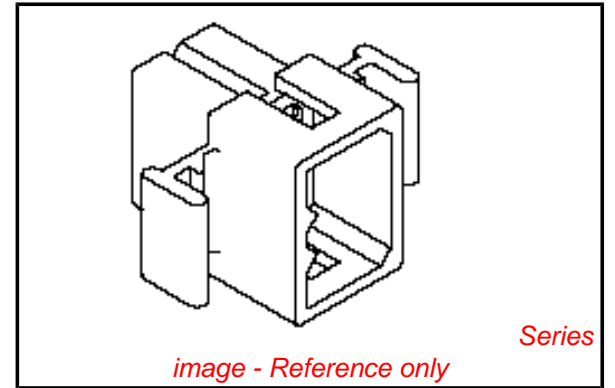
|                               |    |
|-------------------------------|----|
| Current - Maximum per Contact | 5A |
|-------------------------------|----|

**Material Info**

|                 |              |
|-----------------|--------------|
| Old Part Number | 1625-06P1-BK |
|-----------------|--------------|

**Reference - Drawing Numbers**

|                         |             |
|-------------------------|-------------|
| Packaging Specification | PK-1625-003 |
| Product Specification   | PS-02-06    |
| Sales Drawing           | SD-1625-6*  |



**EU RoHS**

**ELV and RoHS Compliant**

**REACH SVHC**

**Contains SVHC: No**  
**Low-Halogen Status**  
**Low-Halogen**

**China RoHS**



**Need more information on product environmental compliance?**

Email [productcompliance@molex.com](mailto:productcompliance@molex.com)  
 For a multiple part number RoHS Certificate of Compliance, [click here](#)

Please visit the [Contact Us](#) section for any non-product compliance questions.

**Search Parts in this Series**

[1625Series](#)

**Mates With**

[03061061](#) , [03061062](#) , [03066062](#)

**Use With**

Female Crimp Terminals [1561](#) , [4559](#) , [4529](#) , [2190](#) , [2189](#) , [1787](#) , [1855](#) . Male Crimp Terminals [1560](#) , [1786](#) , [1854](#) . [1778](#) Male PC Tail Terminals. [1779](#) Female PC Tail Terminals

This document was generated on 11/28/2012

**PLEASE CHECK [WWW.MOLEX.COM](http://WWW.MOLEX.COM) FOR LATEST PART INFORMATION**