

PLEASE CHECK WWW.MOLEX.COM FOR LATEST PART INFORMATION

Part Number: [08-70-0001](#)
Status: **Active**
Description: 4.80mm Pitch Crimp Terminal, Female, Reel

Documents:

[Drawing \(PDF\)](#) [Product Specification PS-5025-002 \(PDF\)](#)
[Product Specification PS-5025-001 \(PDF\)](#) [RoHS Certificate of Compliance \(PDF\)](#)

General

Product Family	Crimp Terminals
Series	5005
Application	Power
Crimp Quality Equipment	Yes
Product Name	N/A
UPC	800753614277

Physical

Gender	Female
Material - Metal	Brass
Material - Plating Mating	Tin
Material - Plating Termination	Tin
Net Weight	150.200/mg
Packaging Type	Reel
Plating min - Mating	0.889µm
Plating min - Termination	0.889µm
Termination Interface: Style	Crimp or Compression
Wire Insulation Diameter	1.30-3.00mm
Wire Size AWG	18, 20, 22, 24
Wire Size mm²	N/A

Material Info

Old Part Number 5005T

Reference - Drawing Numbers

Product Specification PS-5025-001, PS-5025-002, RPS-5025-003
 Sales Drawing SD-5005*

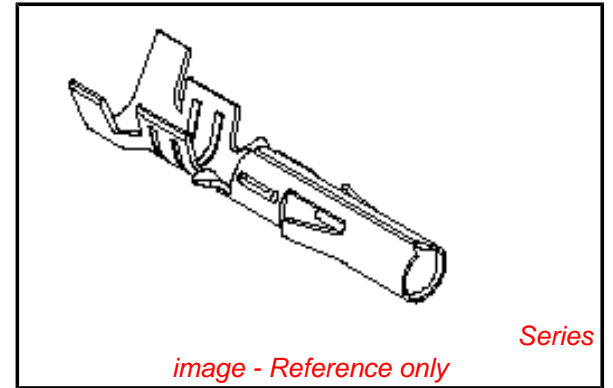


image - Reference only

EU RoHS

**ELV and RoHS
Compliant**

REACH SVHC

**Contains SVHC: No
Low-Halogen Status
Low-Halogen**

China RoHS



**Need more information on product
environmental compliance?**

Email productcompliance@molex.com
 For a multiple part number RoHS Certificate of Compliance, [click here](#)

Please visit the [Contact Us](#) section for any non-product compliance questions.

Search Parts in this Series

5005Series

Mates With

5006

Use With

5025 Receptacle

Application Tooling | FAQ

Tooling specifications and manuals are found by selecting the products below. Crimp Height Specifications are then contained in the Application Tooling Specification document.

Global

Description	Product #
Manual Extraction Tool	0011030002
Terminator Die	0011402064
Hand Crimp Tool for Standard 1.57mm Pin and Socket	0638191300

Crimp Terminals,
18-24 AWG
Mini-Mac™ 0638936000
Applicator

Japan

Description	Product #
Hand Insertion Tool	<u>0011260005</u>
Applicator for M211A	<u>0011260034</u>
Bench Press, 14-28 AWG Wire	

This document was generated on 02/11/2013

PLEASE CHECK WWW.MOLEX.COM FOR LATEST PART INFORMATION