

Accessories Power Relay RM

2 / 3 pole, 10 / 16 A

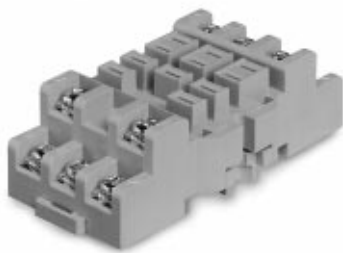
Dimensions in mm



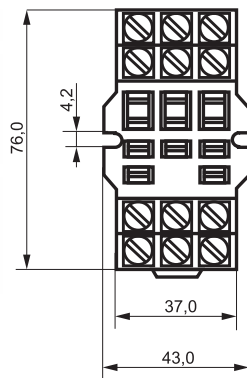
F0237-A

RM Sockets with screw-type terminals

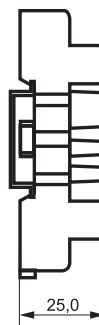
RM 78704 Socket with screw-type terminals



F0113-A



S0317-A



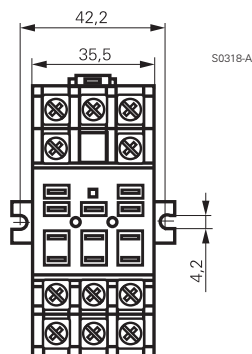
Technical data

Rated current	16 A
Rated voltage	380 Vac
Dielectric strength coil/cont.	>2500 V _{rms}
Ambient temperature	-40...+50 °C
Terminal torque	0.8 Nm
max.	1.2 Nm
Packaging unit	100 pcs.

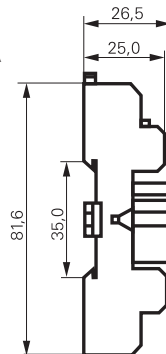
RM 78 705 Socket with screw-type terminals



F0114-A



S0318-A



Technical data

Rated current	16 A
Rated voltage	250 Vac
Dielectric strength coil/cont.	>2500 V _{rms}
Ambient temperature	-40...+40 °C
Terminal torque	0.8 Nm
max.	1.2 Nm
Packaging unit	100 pcs.

Edition: 03/2002

Socket with screw-type terminals

Type		Part Number
RM 78 704	Socket with screw-type terminals	2-1393844-4
RM 78 705	Socket with screw-type terminals	2-1393844-5

Accessories Power Relay RM

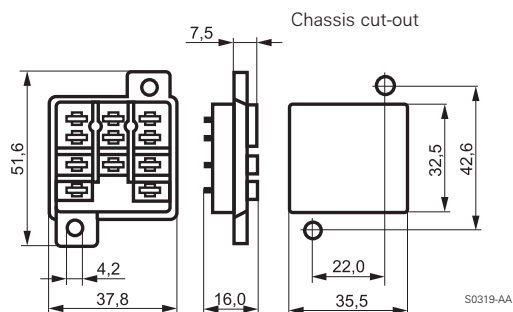
2 / 3 pole, 10 / 16 A

Dimensions in mm
View on solder pins

RM 78 700 Socket with Faston terminals



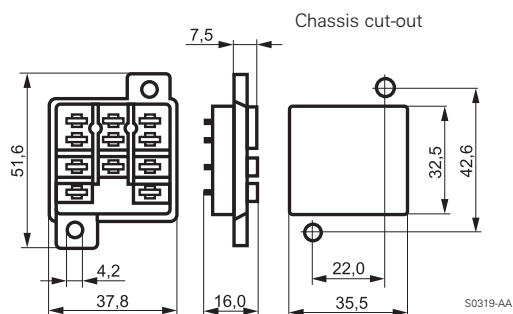
F0110-A



RM 78 701 Socket with solder terminals



F0111-A

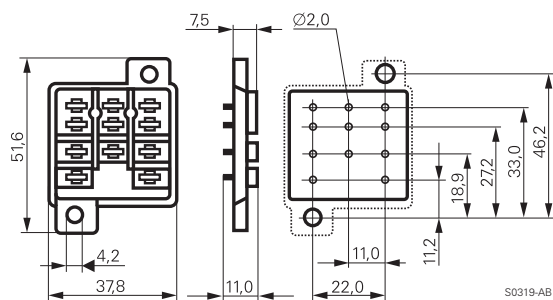


RM 78 702 Socket with PCB terminals

 300 Vac / 10 A



F0112-A



Sockets

Type		Part Number
RM 78 700	Socket with Faston terminals	0-1419118-6
RM 78 701	Socket with solder terminals	4-1393149-9
RM 78 702	Socket with PCB terminals	2-1393844-3

Accessories for RM 78 700, RM 78 701, RM 78 702

Type		Part Number
RM 28 802	Metal retaining clip RM	0-1419118-5

Edition: 03/2002

Rights to change data / design reserved

X-ON Electronics

Authorized Distributor

Click to view similar products for [General Purpose Relays](#) category:

[PCH124D2MH000](#) [LY2ZDC24](#) [613937671](#) [613937697](#) [616169316](#) [616177480](#)
[616181079](#) [616182415](#) [M575723036](#) [MAC9W](#)